

10G BASE-T LAN TRANSFORMER

- Compliant with IEEE 802.3 standard.
- RoHS compliant.
- Operating temperature range :0°C to +70°C.
- Storage temperature range:-25°C to +125°C



Electrical Specifications

Part Number	Turns Ratio (±5%)		OCL(uH Min) @ 100KHz/0.1v (SDD21)	Insertion Loss (dB Max)		HI-POT (Vrms)
	TX	RX		100kHz	1-400MHz	
AE-SD24101	1CT:1CT	1CT:1CT	180	-3	-1.5	1500
AE-SD24002	1CT:1CT	1CT:1CT	200	-3	-1.0	1500
AE-SD24003	1CT:1CT	1CT:1CT	120	-3	-1.0	1500
AE-SD24004	1CT:1CT	1CT:1CT	200	-3	-1.0	1500

Continue

Part Number	PHY-SIDE&LINE SIDE Return Loss (dB Min)		Cross Talk; (dB Min)		CMR(SCC21) (dB Min)			DCMR(SDC21) (dB Min)		
	1-40 MHz	100-400MHz	1-100MHz	100-400MHz	1-100MH z	100-300MHz	300-500 MHz	1-100MHz	100-300MH z	300-500 MHz
AE-SD24101	-20	-20+1g(f/40)	-40	-30	-37	-30	-25	-40	-30	-25

Continue

Part Number	Return Loss (dB Min)		Cross Talk; (dB Min)		CMR(dB Min)			DCMR (dB Min)	
	1-40MHz	40-500MHz	1-100MH z	100-500MH z	1-100MH z	100-300MH z	300-500MHz	1-250MHz	250-500MHz
AE-SD24002	-18	-17+10*log(f/40)	-40	-30	-35	-30	-25	-30	-22
AE-SD24003	-18	-11+17*log(f/400)	-40	-30	-35	-30	-25	-30	-22

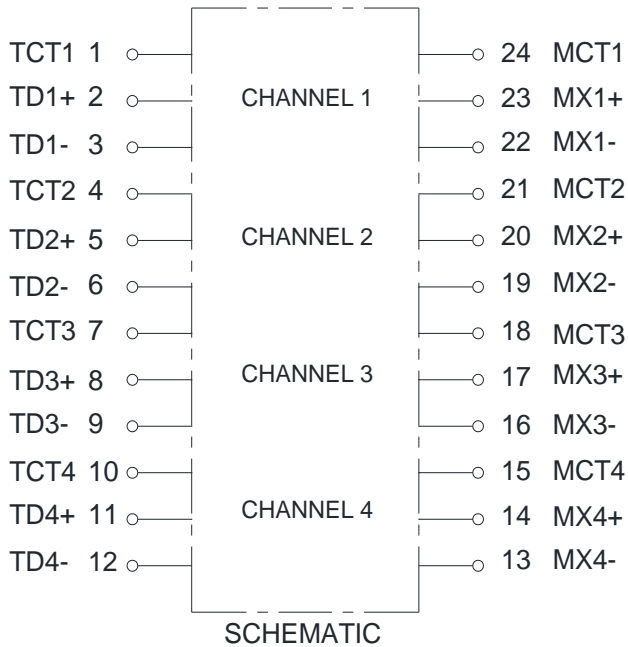
Continue

Part Number	Return Loss (dB Min)					Cross Talk; (dB Min)		CMR (dB Min)			DCMR (dB Min)	
	1MHz	2-100 MHz	100-200 MHz	200-400MHz	400-500MHz	1-100MHz	100-500M Hz	1-100MHz	100-300M Hz	300-500M Hz	1-250M Hz	250-500 MHz
AE-SD24004	-18	-25	-25+3*(f-100)/100	-22+11*(f-200)/200	-11+3*(f-400)/400	-40	-30	-35	-30	-25	-30	-22

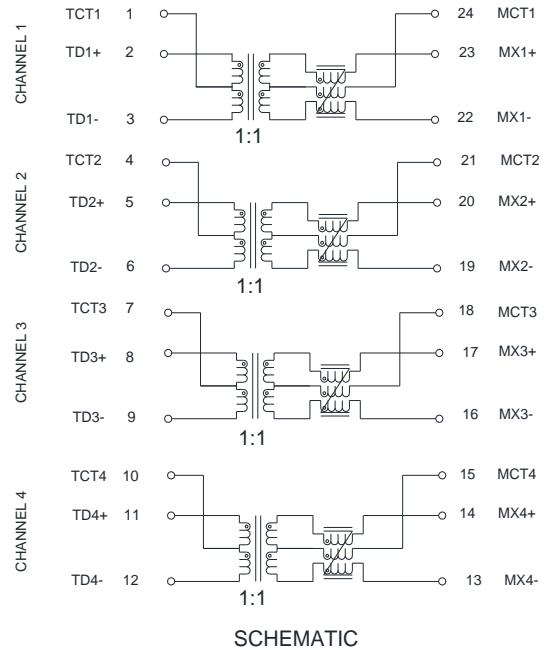
10G BASE-T LAN TRANSFORMER

Schematics:

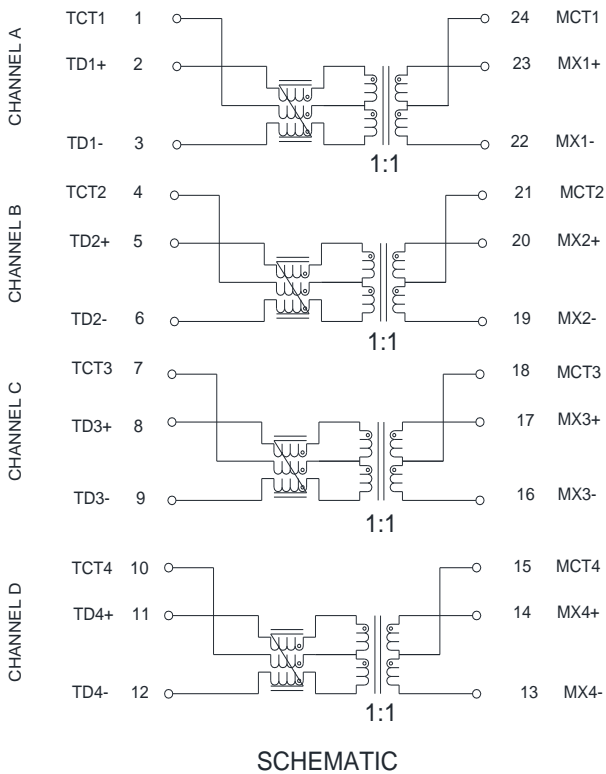
AE-SD24101



AE-SD24002/ AE-SD24003



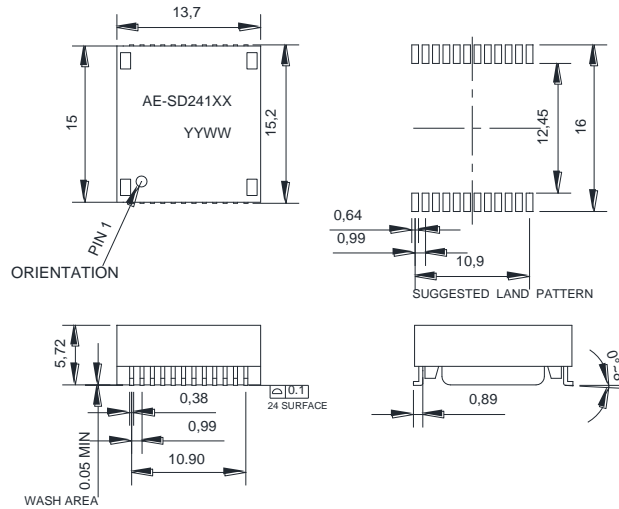
AE-SD24004



10G BASE-T LAN TRANSFORMER

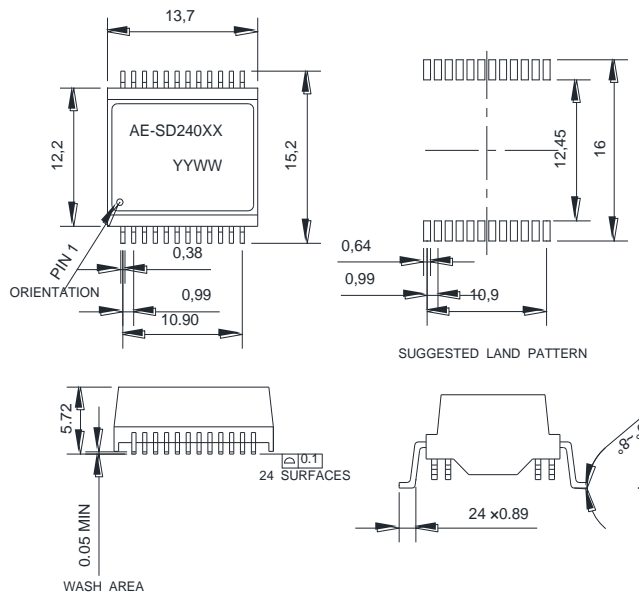
Mechanicals:

AE-SD241XX



DIMENSIONS ARE IN INCHES WITH THE FOLLOWING TOLERANCES:
 .XX=±0.5
 .XXX=±0.25

AE-SD240XX



DIMENSIONS ARE IN INCHES [MILLIMETERS] WITH THE FOLLOWING TOLERANCES: [MILLIMETERS] ARE FOR REFERENCE ONLY.
 .XX=±0.5
 .XXX=±0.25

Specification	Packing Manner	Q ' ty per Tube/Reel	Q ty/Inner box	Q ty/Carton
AE-SD240XX	REEL	700	2100	4200
AE-SD241XX	REEL	700	2100	4200