

Air Coil

- RoHS compliant.
- High Performance, Low Cost
- The coil can be designed according to customer's requirement

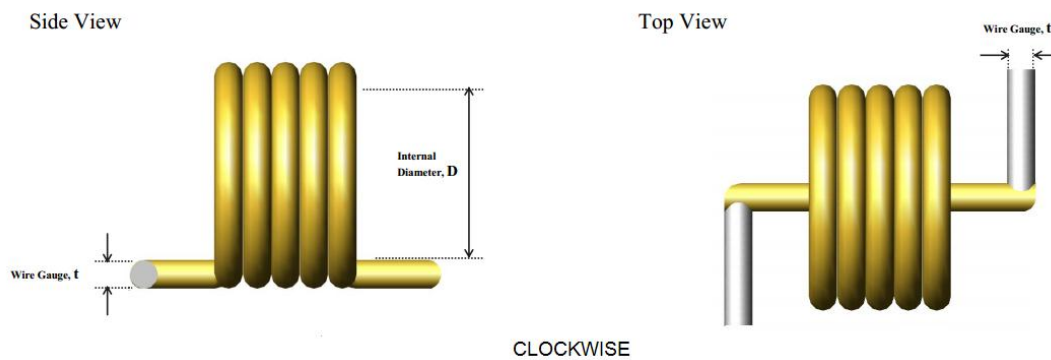
Selection guide for standard coils

Part Number	Turns N	Wire Gauge t (mm)	Internal Diameter D (mm)	Coil Winding Direction	Config.
AE-SAW01001	1	0.3	0.9	CLOCKWISE	A
AE-SAW02003	2	0.3	1.2	CLOCKWISE	A
AE-SAW03002	3	0.3	1.1	CLOCKWISE	A
AE-SAC03008	3	0.36	1.2	COUNTERCLOCKWISE	C
AE-SAW04004	4	0.3	1.2	CLOCKWISE	A
AE-SAC04009	4	0.36	1.35	COUNTERCLOCKWISE	C
AE-SAW04013	4	0.3	1.1	COUNTERCLOCKWISE	B
AE-SAW05002	5	0.3	1.1	CLOCKWISE	A
AE-SAW06001	6	0.3	1.0	CLOCKWISE	A
AE-DAC08001	8	0.3	2.5	COUNTERCLOCKWISE	E
AE-DAC10001	10	0.3	2.5	COUNTERCLOCKWISE	E
AE-DAW11001	11	0.3	2.5	CLOCKWISE	D
AE-DAC15001	15	0.3	2.5	COUNTERCLOCKWISE	D

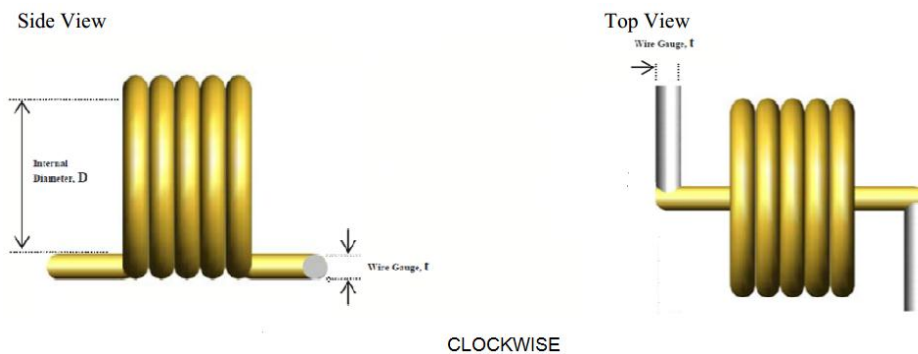
Refer to datasheets for pin-out, phasing and dimension details

Configuration Schematics:

A

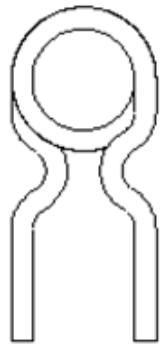


B



Air Coil

C



SIDE VIEW

COUNTERCLOCKWISE

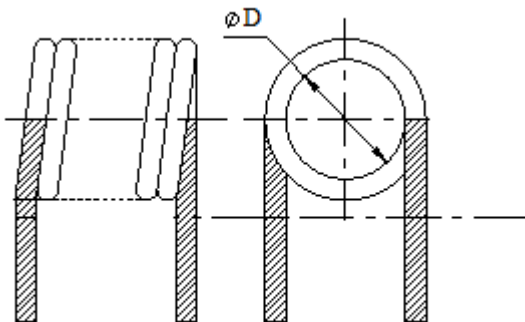


SIDE VIEW

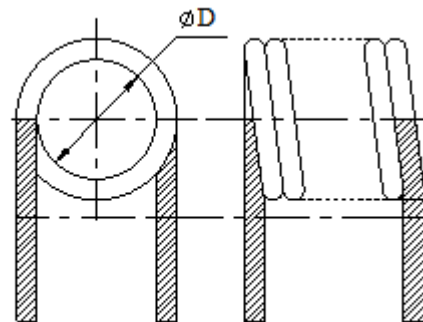
CLOCKWISE



D

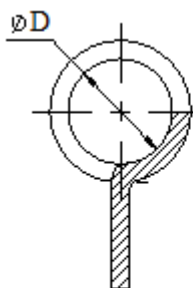


COUNTERCLOCKWISE

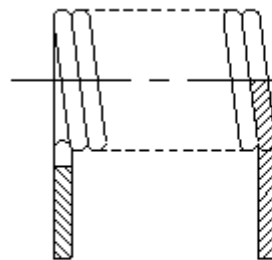
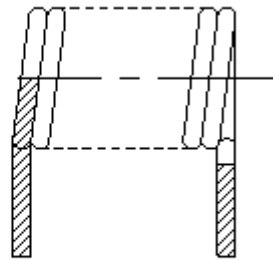


CLOCKWISE

E



COUNTERCLOCKWISE



CLOCKWISE

