

## 10/100 BASE SINGLE PORT TRANSFORMER

- Compliant with IEEE 802.3 standard.
- RoHS compliant.
- Operating temperature range :0°C to +70°C.
- Storage temperature range:0°C to +85°C.

### Electrical Specifications @ 25°C

Part Number	Turns Ratio (±5%)		OCL (μH Min) @100KHz/0.1V with 8.0mA DC	Insertion Loss (dB Max) 0.3-100MHz	HI-POT (Vrms)	Mechanicals
	TX	RX				
AE-DB16001	1CT:1CT	1CT:1CT	350	-1.1	1500	C
AE-DB16002	1CT:1CT	1CT:1CT	350	-1.1	1500	B
AE-DB16003	1CT:1CT	1CT:1CT	350	-1.1	1500	B
AE-DB16004	1CT:1CT	1CT:1CT	350	-1.1	1500	A
AE-DB16005	1CT:1CT	1CT:1CT	350	-1.1	1500	C
AE-DB16006	1CT:1CT	1CT:1CT	350	-1.1	1500	C
AE-DB16007	1CT:1CT	1CT:1CT	350	-1.1	1500	B
AE-DB16008	1CT:1CT	1CT:1CT	350	-1.1	1500	A
AE-DB16009	1CT:1CT	1CT:1CT	350	-1.1	1500	A
AE-DB16010	1CT:1CT	1CT:1CT	350	-1.1	1500	A
AE-DB16011	1CT:1CT	1CT:1CT	350	-1.1	1500	D
AE-DB16012	1CT:1CT	1CT:1CT	350	-1.1	1500	A
AE-DB16013	1CT:1CT	1CT:1CT	350	-1.1	1500	C
AE-DB16014	1CT:1CT	1CT:1CT	350	-1.1	1500	C
AE-DB16015	1CT:1CT	1CT:1CT	350	-1.1	1500	D
AE-DB16016	1CT:1CT	1CT:1CT	350	-1.1	1500	E

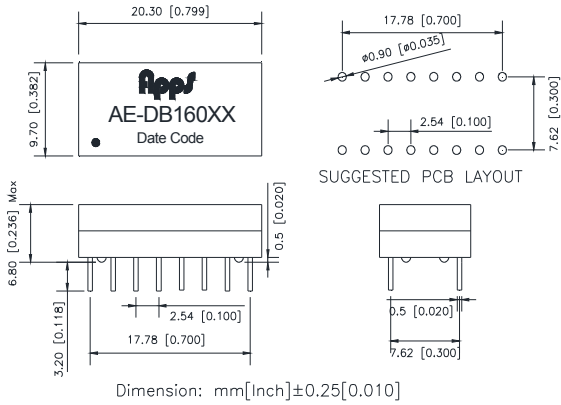
10/100 BASE SINGLE PORT TRANSFORMER

Continue							
Part Number	Return Loss (dB Min)			Cross Talk (dB Min)	DCMR (dB Min)		
	0.3-30MHz	40MHz	60-80MHz	0.3-100 MHz	30 MHz	60MHz	100MHz
AE-DB16001	-18	-14.4	-12	-35	-40	-35	-30
AE-DB16002	-18	-14.4	-12	-35	-40	-35	-30
AE-DB16003	-18	-14.4	-12	-35	-40	-35	-30
AE-DB16004	-18	-14.4	-12	-35	-40	-35	-30
AE-DB16005	-18	-14.4	-12	-35	-40	-35	-30
AE-DB16006	-18	-14.4	-12	-35	-40	-35	-30
AE-DB16007	-18	-14.4	-12	-35	-40	-35	-30
AE-DB16008	-18	-14.4	-12	-35	-40	-35	-30
AE-DB16009	-18	-14.4	-12	-35	-40	-35	-30
AE-DB16010	-18	-14.4	-12	-35	-40	-35	-30
AE-DB16011	-18	-14.4	-12	-35	-40	-35	-30
AE-DB16012	-18	-14.4	-12	-35	-40	-35	-30
AE-DB16013	-18	-14.4	-12	-35	-40	-35	-30
AE-DB16014	-18	-14.4	-12	-35	-40	-35	-30

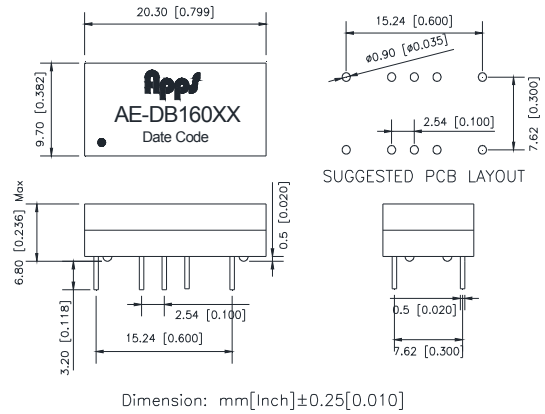
# 10/100 BASE SINGLE PORT TRANSFORMER

## Mechanicals:

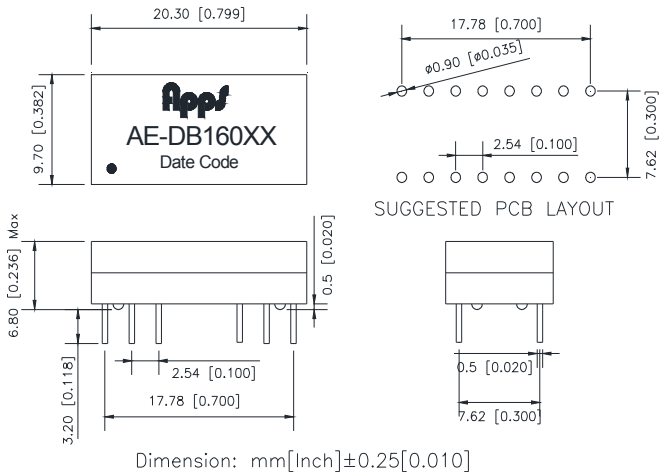
**A**



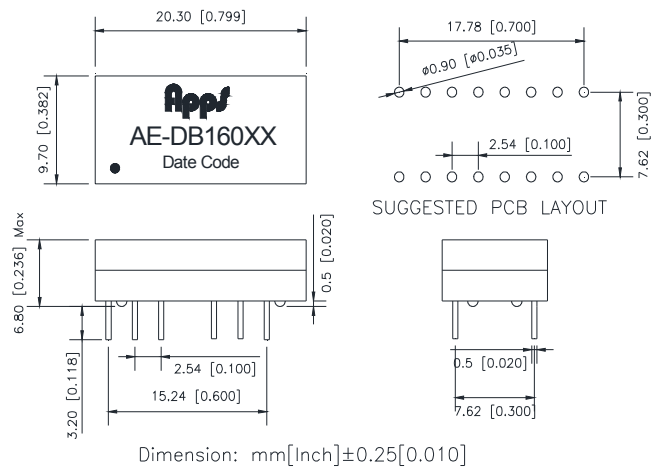
**B**



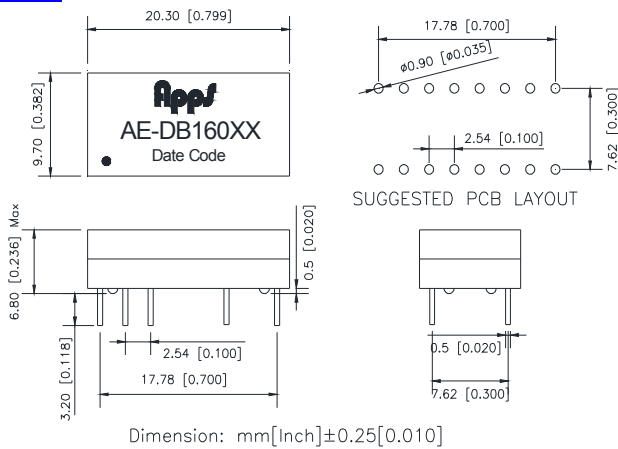
**C**



**D**



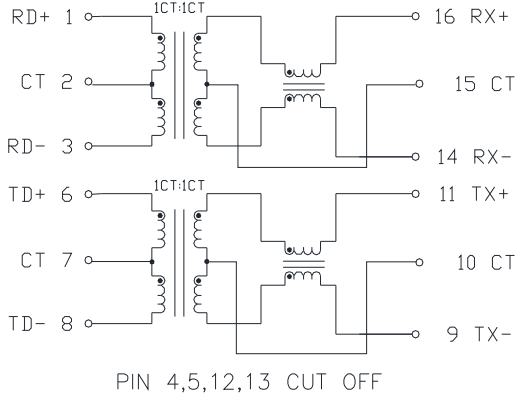
**E**



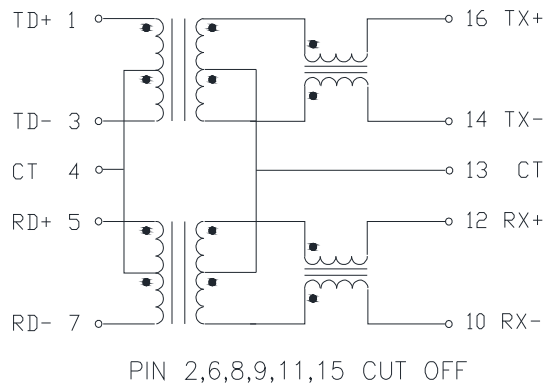
# 10/100 BASE SINGLE PORT TRANSFORMER

## SCHEMATICS:

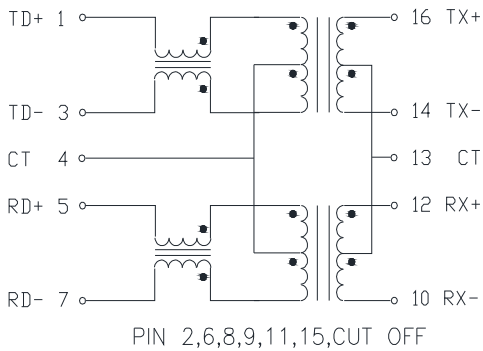
AE-DB16001



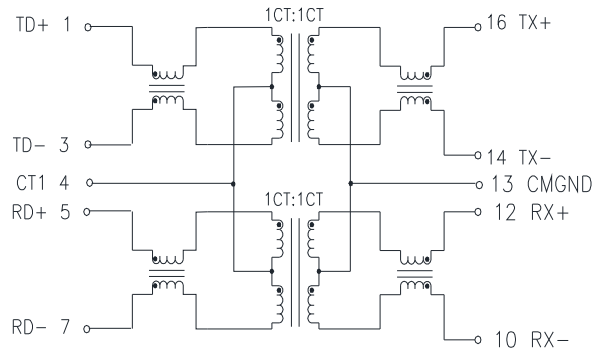
AE-DB16002



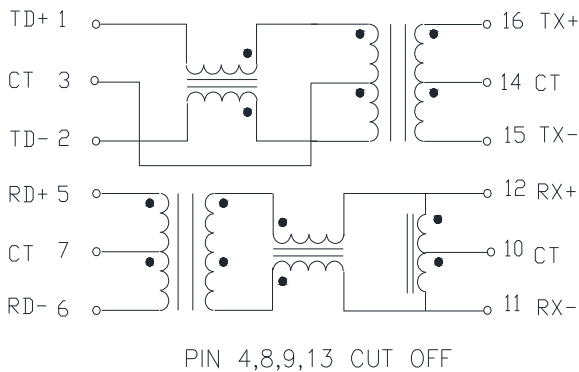
AE-DB16003



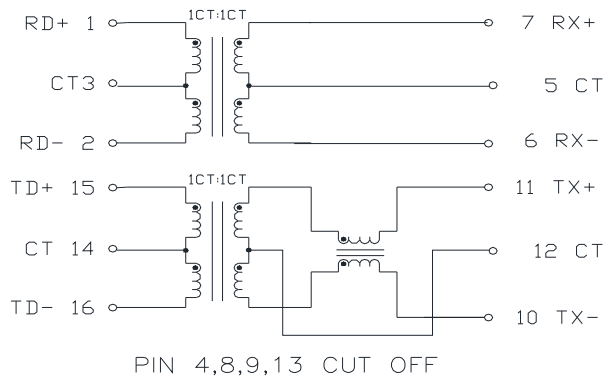
AE-DB16004/AE-DB16009



AE-DB16005

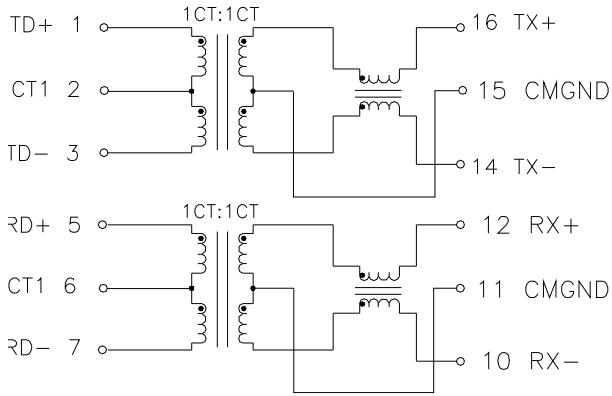


AE-DB16006

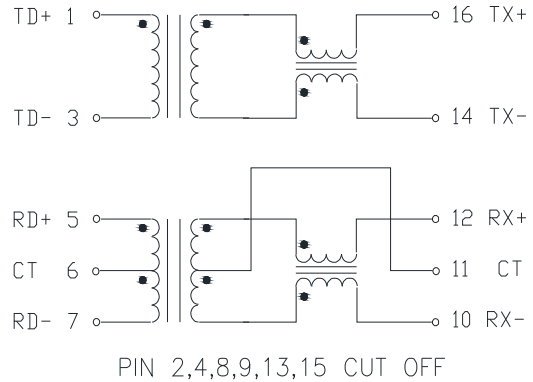


# 10/100 BASE SINGLE PORT TRANSFORMER

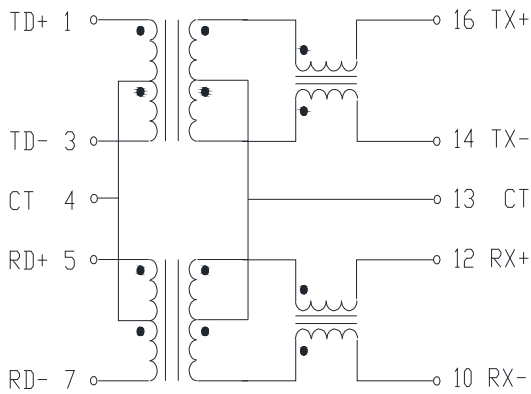
**AE-DB16007**



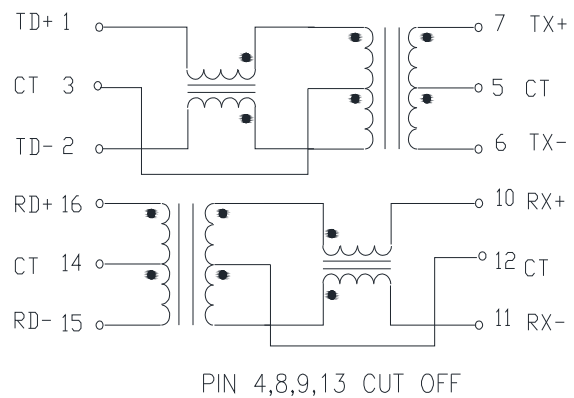
**AE-DB16008/AE-DB16013**



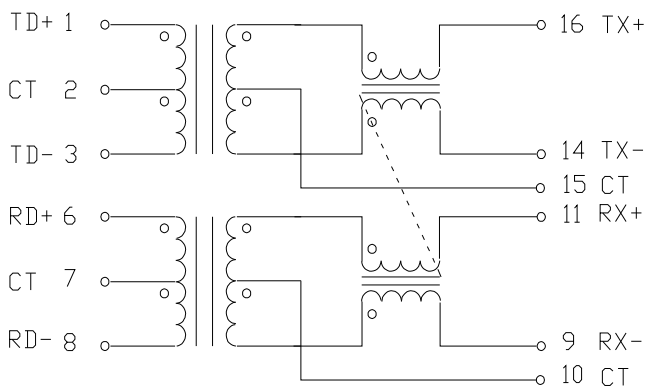
**AE-DB16010**



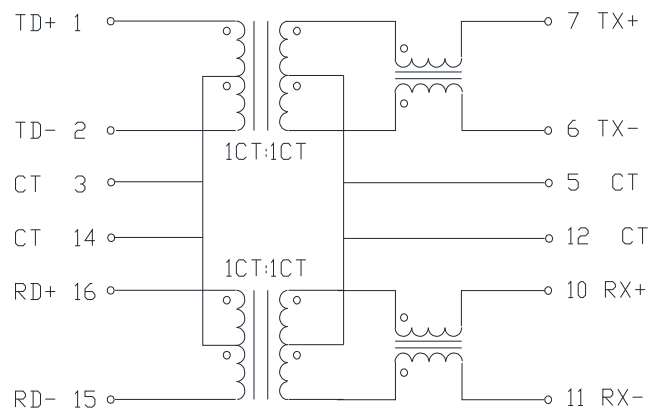
**AE-DB16011**



**AE-DB16014**

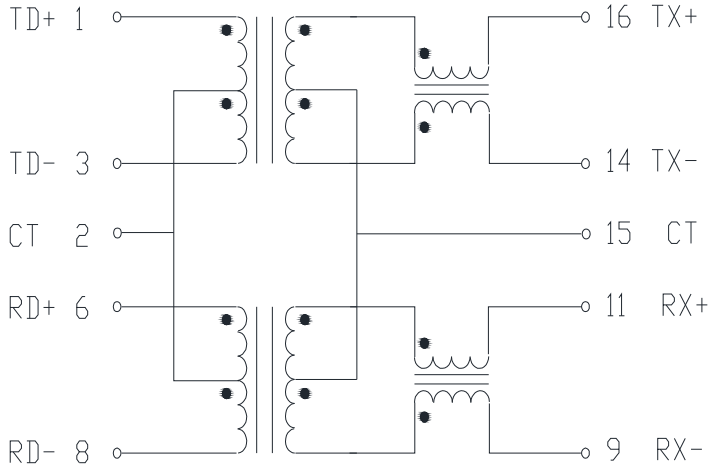


**AE-DB16015**



# 10/100 BASE SINGLE PORT TRANSFORMER

**AE-DB16016**



Specification	Packing Manner	Q'ty per Tube/Reel	Q'ty/Inner box	Q'ty/Carton
AE-DB160XX	TUBE	24	/	5400