

## 10/100 BASE LAN TRANSFORMER

- Compliant with IEEE 802.3 standard.
- RoHS compliant.
- Operating temperature range :0°C to +70°C.
- Storage temperature range: 0°C to +85°C.



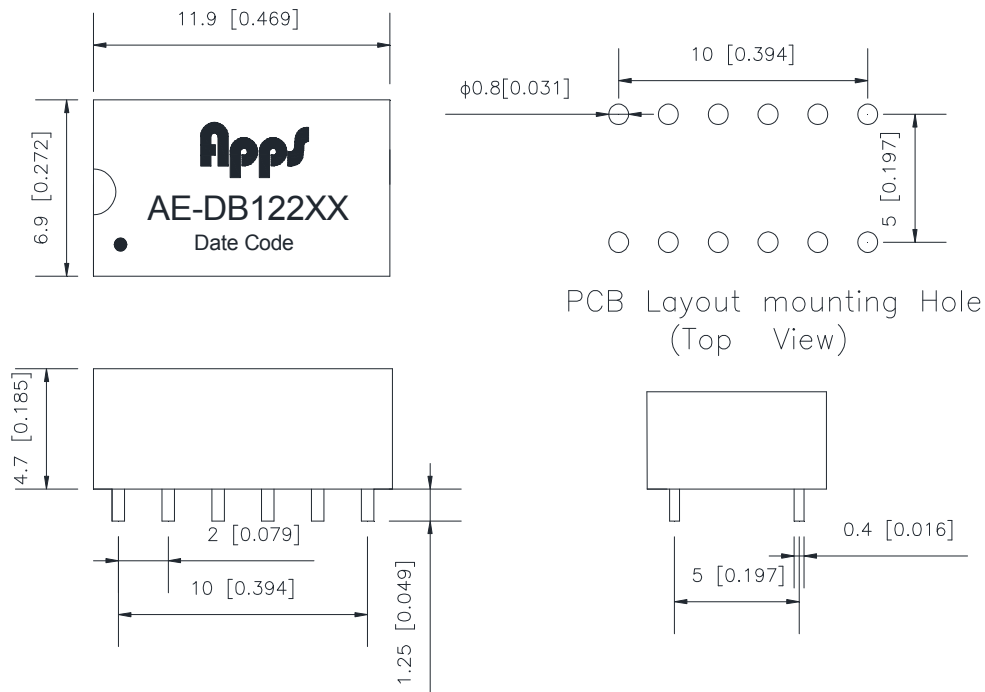
### Electrical Specifications @ 25°C

Part Number	Turns Ratio (±5%)		OCL(μH Min) @100KHz/0.1V With DC8.0 mA	Insertion Loss (dB Max) 0.3-100MHz	HI-POT (Vrms)
	TX	RX			
AE-DB12201	1CT:1CT	1CT:1CT	350	-1.1	1500
AE-DB12202	1CT:1CT	1CT:1CT	350	-1.1	1500

### Continue

Part Number	Return Loss (dB Min)			Cross Talk (dB Min) 0.3-100MHz	DCMR (dB Min)		
	0.3-30MHz	40MHz	60-80MHz		30MHz	60MHz	100MHz
AE-DB12201	-18	-14.4	-12	-30	-37	-33	-30
AE-DB12202	-18	-14.4	-12	-30	-37	-33	-30

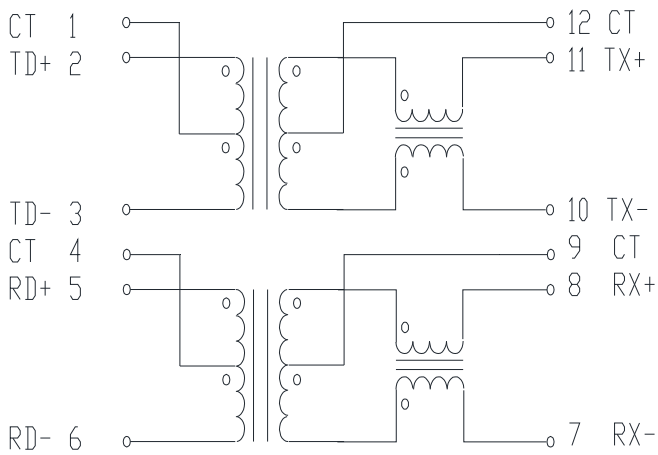
### Mechanicals:



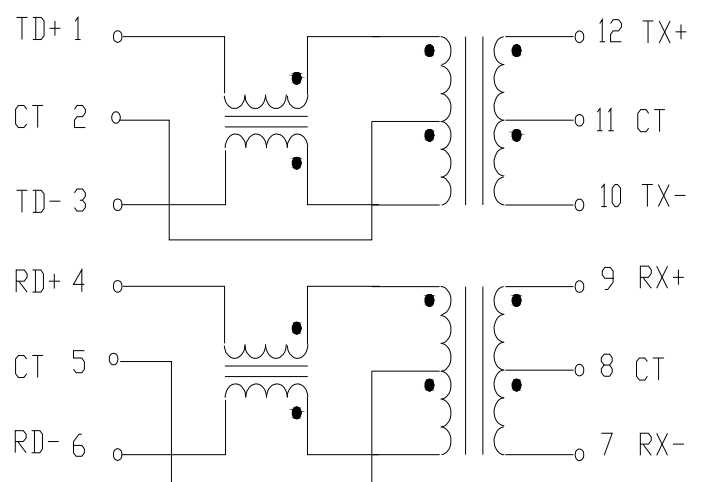
Dimensions:mm[inch]±0.25[0.010]

## 10/100 BASE LAN TRANSFORMER

AE-DB12201



AE-DB12202



Specification	Packing Manner	Q'ty per Tube/Reel	Q'ty/Inner box	Q'ty/Carton
AE-DB122XX	TUBE	42	/	12600