

## 10/100 BASE LAN TRANSFORMER

- Compliant with IEEE 802.3 standard.
- RoHS compliant.
- Operating temperature range :0°C to +70°C.
- Storage temperature range: 0°C to +85°C.



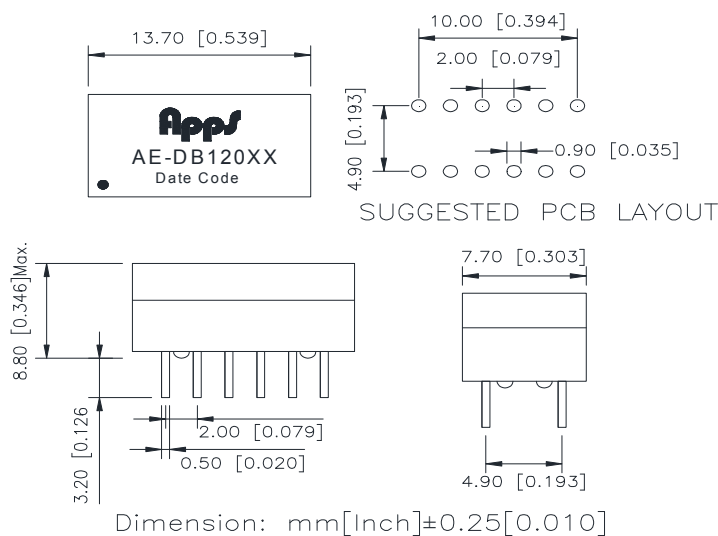
### Electrical Specifications @ 25°C

| Part Number | Turns Ratio (±5%) |         | OCL(μH Min)<br>@100KHz/0.1V<br>With DC8.0 mA | Insertion Loss<br>(dB Max)<br>0.3-100MHz | HI-POT<br>(Vrms) |
|-------------|-------------------|---------|--|--|------------------|
|             | TX                | RX      |  |  |                  |
| AE-DB12001  | 1CT:1CT           | 1CT:1CT | 350  | -1.1                                     | 1500             |
| AE-DB12002  | 1CT:1CT           | 1CT:1CT | 350  | -1.1                                     | 1500             |
| AE-DB12003  | 1CT:1CT           | 1CT:1CT | 350  | -1.1                                     | 1500             |
| AE-DB12004  | 1CT:1CT           | 1CT:1CT | 350  | -1.1                                     | 1500             |
| AE-DB12005  | 1CT:1CT           | 1CT:1CT | 350  | -1.1                                     | 1500             |
| AE-DB12006  | 1CT:1CT           | 1CT:1CT | 350  | -1.1                                     | 1500             |

### Continue

| Part Number | Return Loss (dB Min) |       |          | Cross Talk (dB Min)<br>0.3-100MHz | DCMR (dB Min) |       |        |
|-------------|----------------------|-------|----------|-----------------------------------|---------------|-------|--------|
|             | 0.3-30MHz            | 40MHz | 60-80MHz |                                   | 30MHz         | 60MHz | 100MHz |
| AE-DB12001  | -18                  | -14.4 | -12      | -30                               | -37           | -33   | -30    |
| AE-DB12002  | -18                  | -14.4 | -12      | -30                               | -37           | -33   | -30    |
| AE-DB12003  | -18                  | -14.4 | -12      | -30                               | -37           | -33   | -30    |
| AE-DB12004  | -18                  | -14.4 | -12      | -30                               | -37           | -33   | -30    |
| AE-DB12005  | -18                  | -14.4 | -12      | -30                               | -37           | -33   | -30    |
| AE-DB12006  | -18                  | -14.4 | -12      | -30                               | -37           | -33   | -30    |

### Mechanicals:



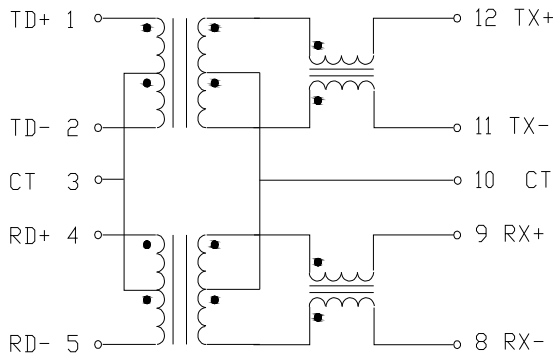
Address: Room 1720, Block A, Xinian Centre, Shennan Road, Futian District, Shenzhen, Guangdong, P.R. China

Tel : +86 ( 755 ) 86538552 Fax : +86 ( 755 ) 26653184 Post Code : 518057

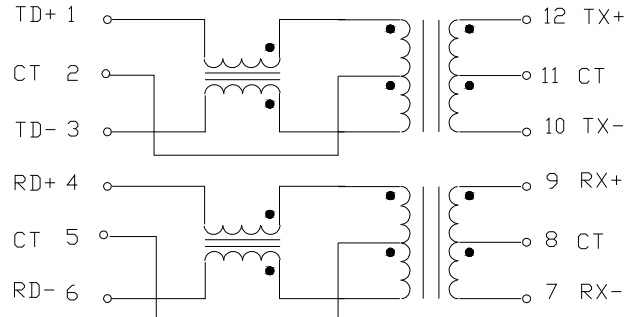
Http: [www.appselectronics.com](http://www.appselectronics.com) E-mail: [sales@appselectronics.com](mailto:sales@appselectronics.com)

## 10/100 BASE LAN TRANSFORMER

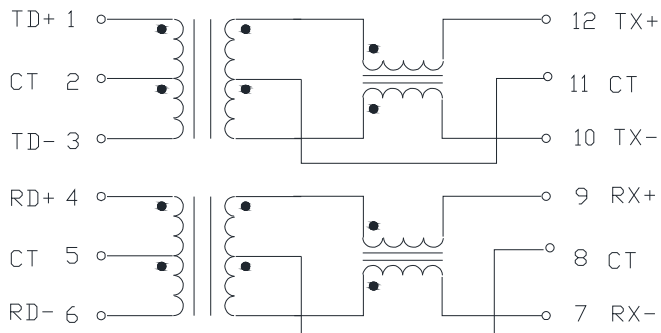
**AE-DB12001**



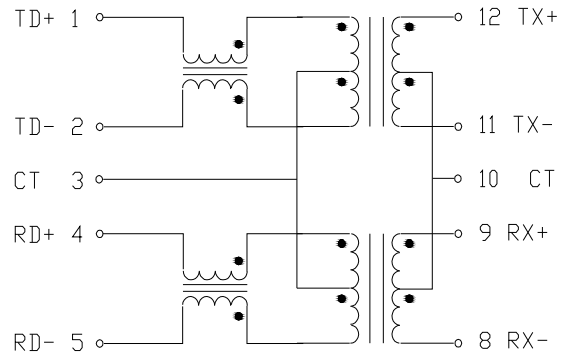
**AE-DB12002**



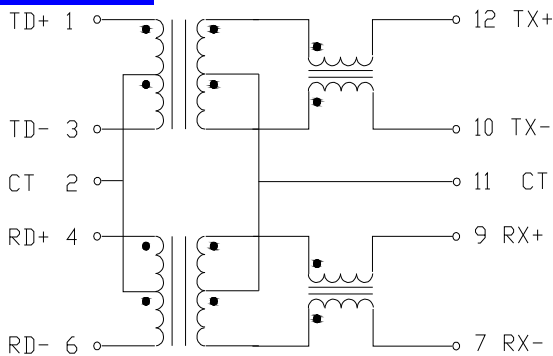
**AE-DB12003**



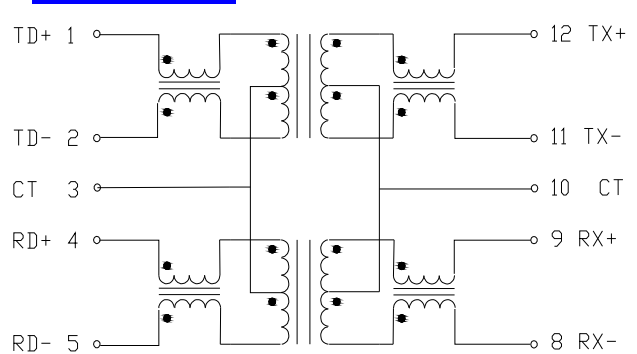
**AE-DB12004**



**AE-DB12005**



**AE-DB12006**



| Specification | Packing Manner | Q'ty per Tube/Reel | Q'ty/Inner box | Q'ty/Carton |
|---------------|----------------|--------------------|----------------|-------------|
| AE-DB120XX    | TUBE           | 37                 | /              | 7992        |