

## 10/100 BASE LAN TRANSFORMER

- Compliant with IEEE 802.3 standard.
- RoHS compliant.
- Operating temperature range :0°C to +70°C.
- Storage temperature range:0°C to +85°C.

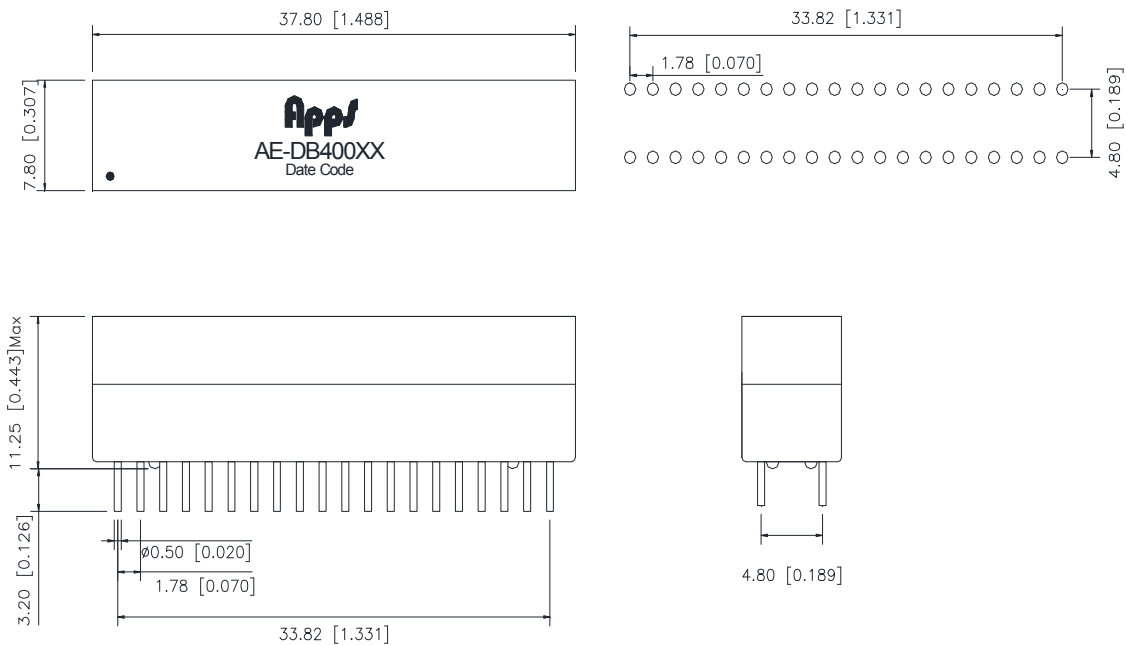
### Electrical Specifications @ 25°C

Part Number	Turns Ratio (±5%)		OCL(μH Min) @100KHz/0.1V With DC8.0mA	Insertion Loss (dB Max) 0.3-100MHz	HI-POT (Vrms)
	TX	RX			
AE-DB40001	1CT:1CT	1CT:1CT	350	-1.1	1500
AE-DB40002	1CT:1CT	1CT:1CT	350	-1.1	1500

### Continue

Part Number	Return Loss (dB Min)			Cross Talk (dB Min) 0.3-100MHz	DCMR (dB Min)		
	0.3-30MHz	40MHz	60-80MHz		30MHz	60MHz	100MHz
AE-DB40001	-18	-14.4	-12	-30	-40	-35	-30
AE-DB40002	-18	-14.4	-12	-30	-40	-35	-30

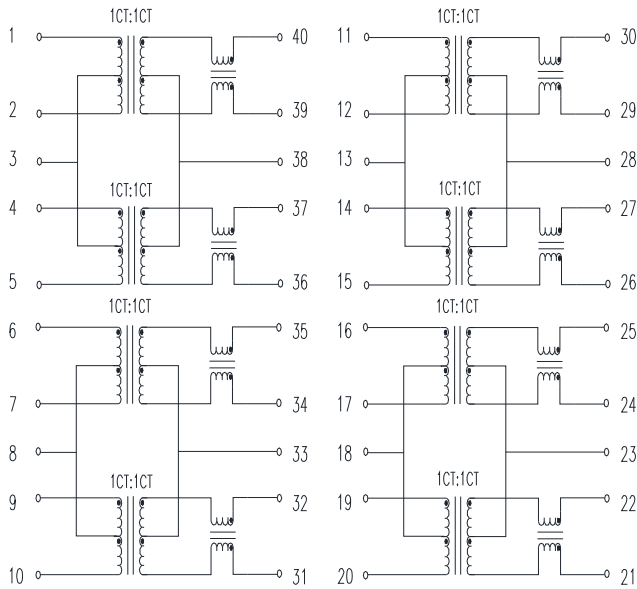
### Mechanicals:



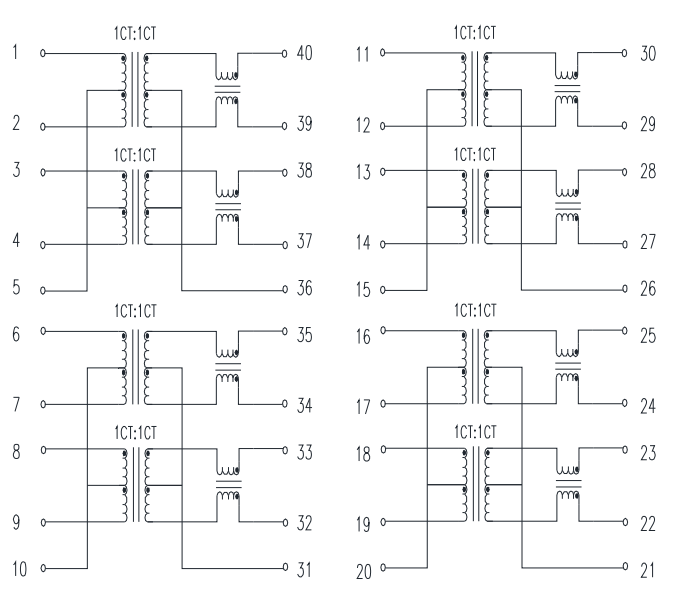
Dimension: mm[Inch]±0.25[0.010]

# 10/100 BASE LAN TRANSFORMER

**AE-DB40001**



**AE-DB40002**



Specification	Packing Manner	Q'ty per Tube/Reel	Q'ty/Inner box	Q'ty/Carton
AE-DB400XX	TUBE	13	/	2340

Address: Room 1720, Block A, Xinian Centre, Shennan Road, Futian District, Shenzhen, Guangdong, P.R. China

Tel : +86 ( 755 ) 86538552 Fax : +86 ( 755 ) 26653184 Post Code : 518057

Http: [www.appselectronics.com](http://www.appselectronics.com) E-mail: [sales@appselectronics.com](mailto:sales@appselectronics.com)