

10/100 BASE LAN TRANSFORMER

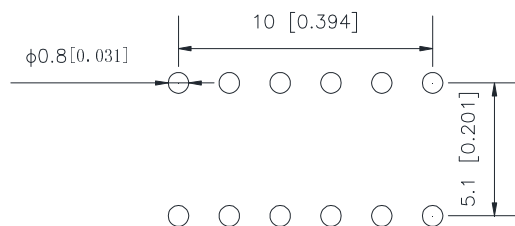
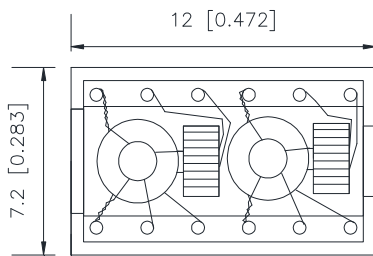
- Compliant with IEEE 802.3 standard.
- RoHS compliant.
- Operating temperature range :0°C to +70°C.
- Storage temperature range: 0°C to +85°C.



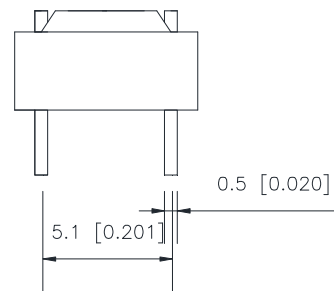
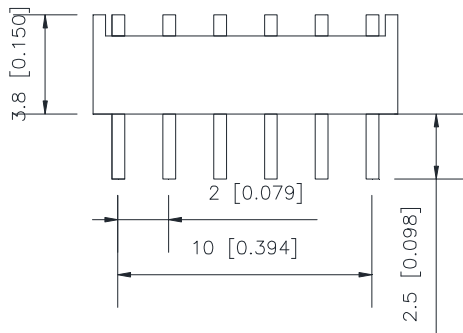
Electrical Specifications @ 25°C

Part Number	Turns Ratio (±5%)		OCL(μH Min) @100KHz/0.1V With DC8.0 mA	Insertion Loss (dB Max) 0.3-100MHz	HI-POT (Vrms)		
	TX	RX					
AE-DB12301	1CT:1CT	1CT:1CT	350	-1.1	1500		
Continue							
Part Number	Return Loss (dB Min)			Cross Talk (dB Min) 0.3-100MHz	DCMR (dB Min)		
	0.3-30MHz	40MHz	60-80MHz		30MHz	60MHz	100MHz
AE-DB12301	-18	-14.4	-12	-30	-37	-33	-30

Mechanicals:



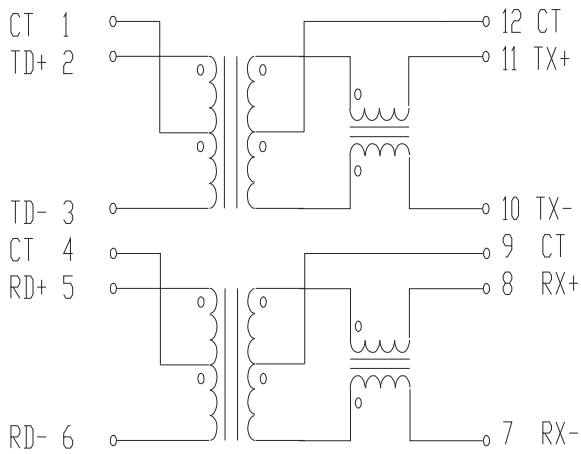
SUGGESTED PCB LAYOUT



Dimension:mm[inch]±0.25[0.010]

10/100 BASE LAN TRANSFORMER

AE-DB12301



Specification	Packing Manner	Q'ty per Tube/Reel	Q'ty/Inner box	Q'ty/Carton
AE-DB123XX	TUBE	42	/	12600