

10/100 BASE LAN TRANSFORMER

- Compliant with IEEE 802.3 standard.
- RoHS compliant.
- Operating temperature range :0°C to +70°C.
- Storage temperature range:0°C to +85°C.



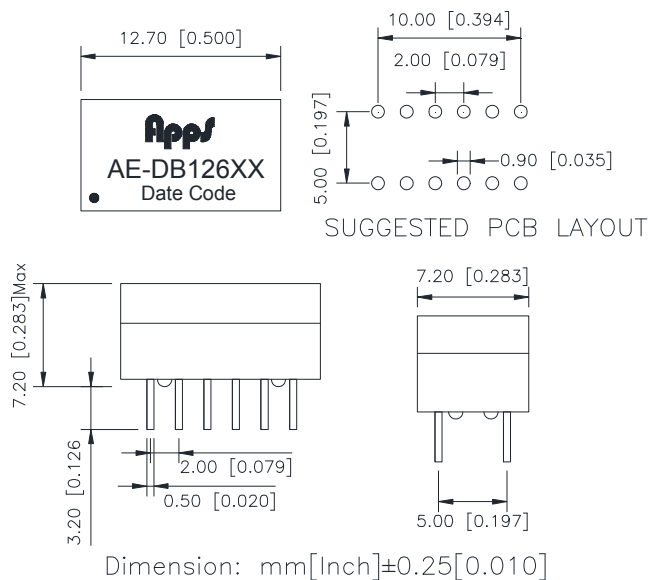
Electrical Specifications @ 25°C

Part Number	Turns Ratio (±5%)		OCL(μH Min) @100KHz/0.1V With DC8.0 mA	Insertion Loss (dB Max)	HI-POT (Vrms)
	TX	RX		0.3-100MHz	
AE-DB12601	1CT:1CT	1CT:1CT	350	-1.1	1500
AE-DB12602	1CT:1CT	1CT:1CT	350	-1.1	1500
AE-DB12603	1CT:1CT	1CT:1CT	350	-1.1	1500
AE-DB12604	1CT:1CT	1CT:1CT	350	-1.1	1500
AE-DB12605	1CT:1CT	1CT:1CT	350	-1.1	1500
AE-DB12606	1CT:1CT	1CT:1CT	350	-1.1	1500

Continue

Part Number	Return Loss (dB Min)			Cross Talk (dB Min)	DCMR (dB Min)		
	0.3-30MHz	40MHz	60-80MHz	0.3-100MHz	30MHz	60MHz	100MHz
AE-DB12601	-18	-14.4	-12	-30	-37	-33	-30
AE-DB12602	-18	-14.4	-12	-30	-37	-33	-30
AE-DB12603	-18	-14.4	-12	-30	-37	-33	-30
AE-DB12604	-18	-14.4	-12	-30	-37	-33	-30
AE-DB12605	-18	-14.4	-12	-30	-37	-33	-30
AE-DB12606	-18	-14.4	-12	-30	-37	-33	-30

Mechanicals:



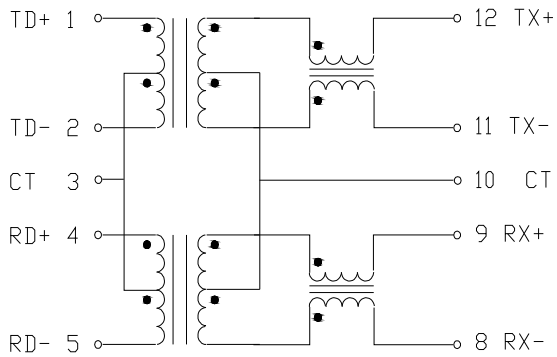
Address: Room 1720, Block A, Xinian Centre, Shennan Road, Futian District, Shenzhen, Guangdong, P.R. China

Tel : +86 (755) 86538552 Fax : +86 (755) 26653184 Post Code : 518057

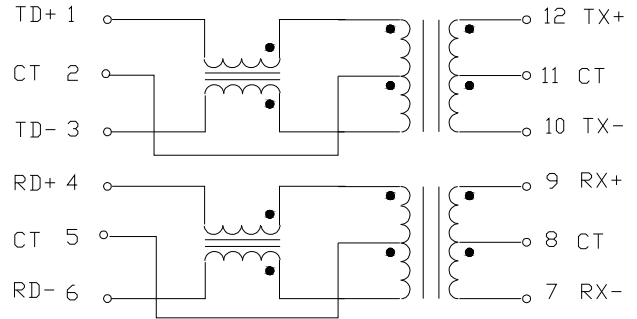
Http: www.appselectronics.com E-mail: sales@appselectronics.com

10/100 BASE LAN TRANSFORMER

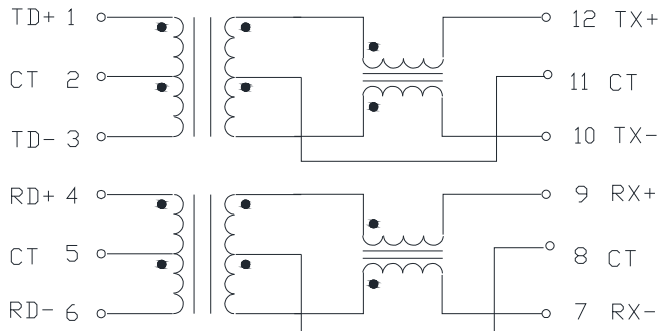
AE-DB12601



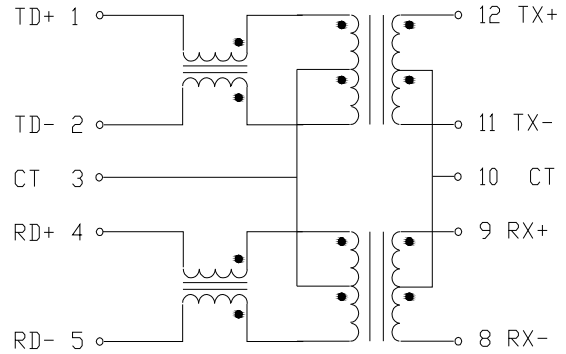
AE-DB12602



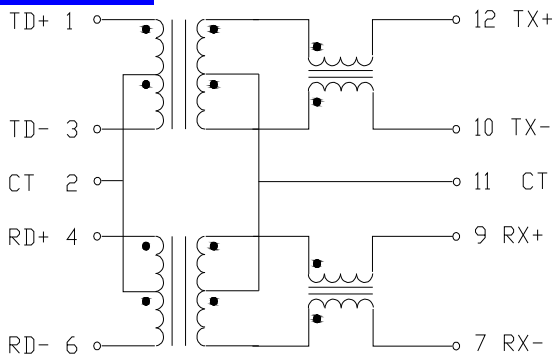
AE-DB12603



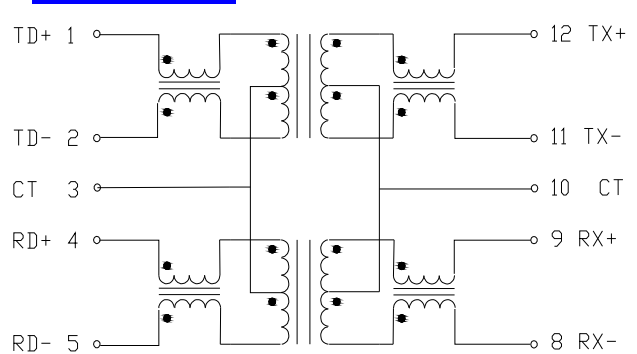
AE-DB12604



AE-DB12605



AE-DB12606



Specification	Packing Manner	Q'ty per Tube/Reel	Q'ty/Inner box	Q'ty/Carton
AE-DB126XX	TUBE	39	/	11700