

10/100 BASE LAN TRANSFORMER

- Compliant with IEEE 802.3 standard.
- RoHS compliant.
- Operating temperature range :0°C to +70°C.
- Storage temperature range:0°C to +85°C.

Electrical Specifications @ 25°C

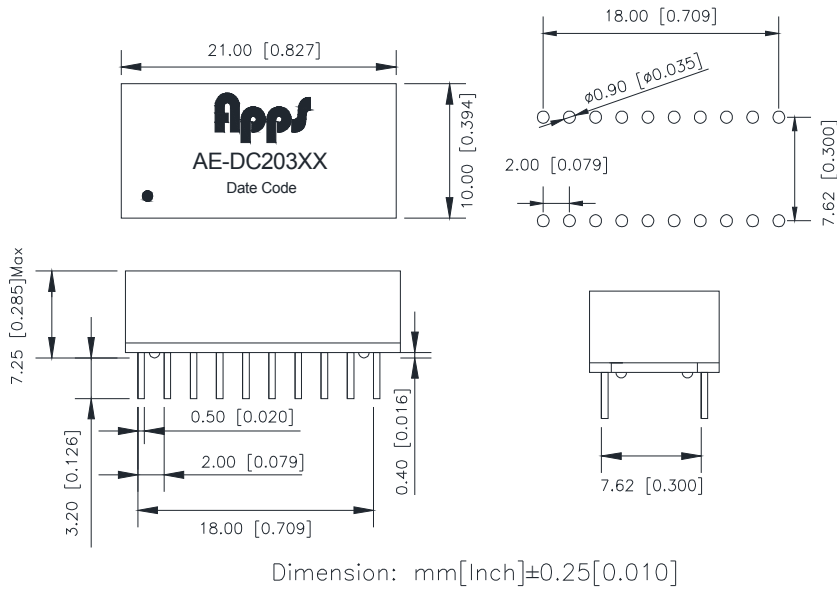
Part Number	Turns Ratio (±5%)		OCL(μH Min) @100KHz/0.1V With DC8.0 mA	Insertion Loss (dB Max)	HI-POT (Vrms)
	TX	RX		0.3-100MHz	
AE-DB20301	1CT:1CT	1CT:1CT	350	-1.1	1500
AE-DB20302	1CT:1CT	1CT:1CT	350	-1.1	1500
AE-DB20303	1CT:1CT	1CT:1CT	350	-1.1	1500
AE-DB20304	1CT:1CT	1CT:1CT	350	-1.1	1500
AE-DB20305	1CT:1CT	1CT:1CT	350	-1.1	1500
AE-DB20306	1CT:1CT	1CT:1CT	350	-1.1	1500
AE-DB20307	1CT:1CT	1CT:1CT	350	-1.1	1500
AE-DB20308	1CT:1CT	1CT:1CT	350	-1.1	1500
AE-DB20309	1CT:1CT	1CT:1CT	350	-1.1	1500

Continue

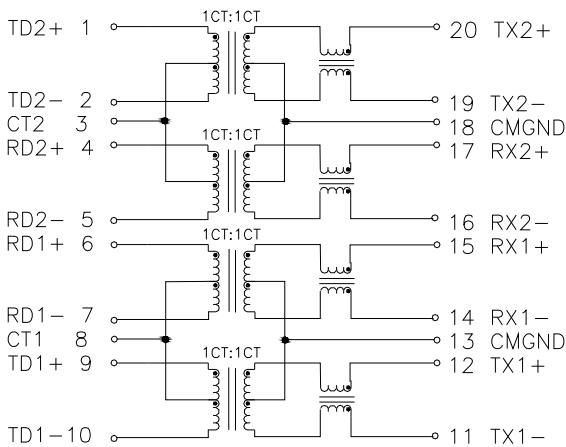
Part Number	Return Loss (dB Min)			Cross Talk (dB Min)	DCMR (dB Min)		
	0.3-30MHz	40MHz	60-80MHz	0.3-100MHz	30MHz	60MHz	100MHz
AE-DB20301	-18	-14.4	-12	-30	-37	-33	-30
AE-DB20302	-18	-14.4	-12	-30	-37	-33	-30
AE-DB20303	-18	-14.4	-12	-30	-37	-33	-30
AE-DB20304	-18	-14.4	-12	-30	-37	-33	-30
AE-DB20305	-18	-14.4	-12	-30	-37	-33	-30
AE-DB20306	-18	-14.4	-12	-30	-37	-33	-30
AE-DB20307	-18	-14.4	-12	-30	-37	-33	-30
AE-DB20308	-18	-14.4	-12	-30	-37	-33	-30
AE-DB20309	-18	-14.4	-12	-30	-37	-33	-30

10/100 BASE LAN TRANSFORMER

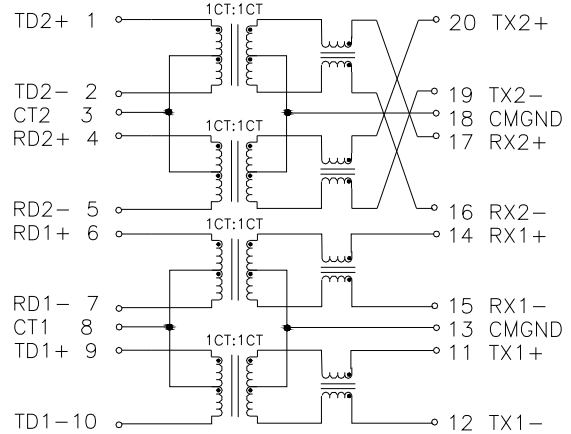
Mechanicals:



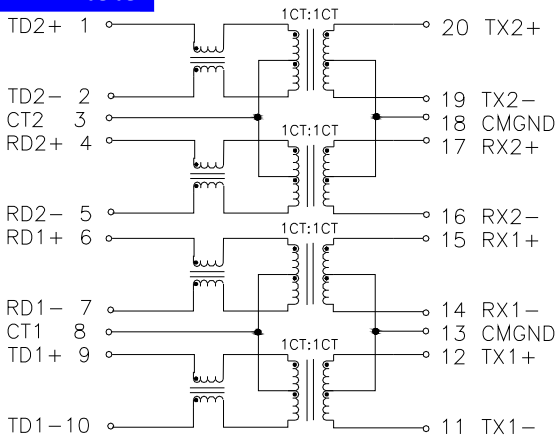
AE-DB20301



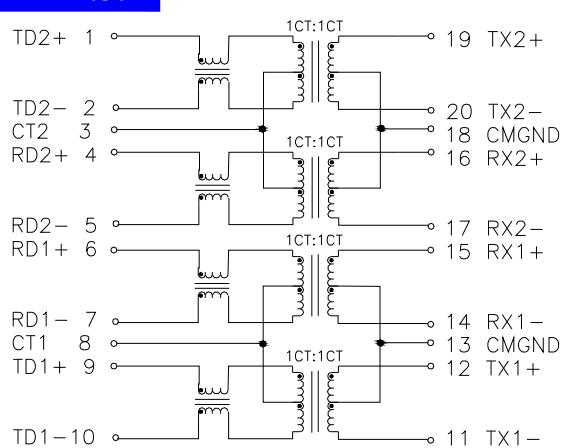
AE-DB20302



AE-DB20303

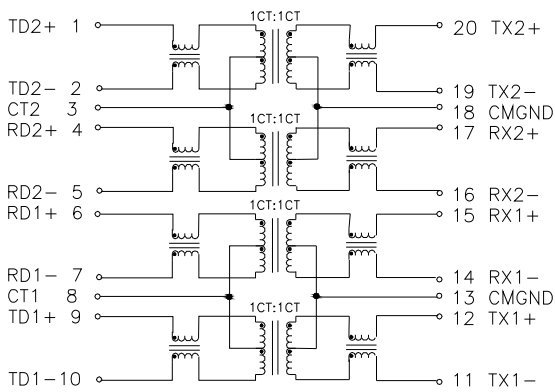


AE-DB20304

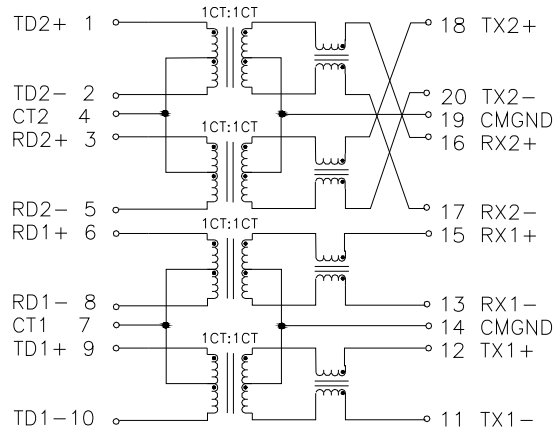


10/100 BASE LAN TRANSFORMER

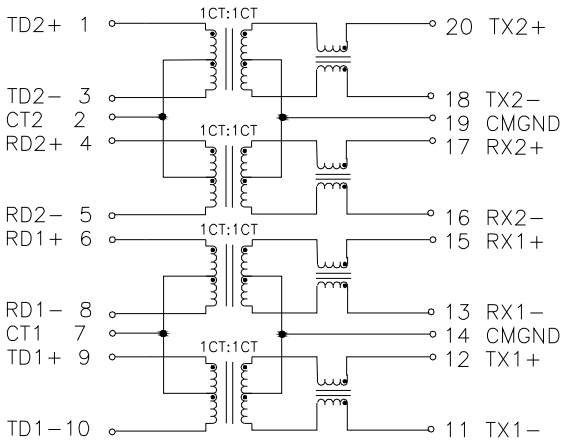
AE-DB20305



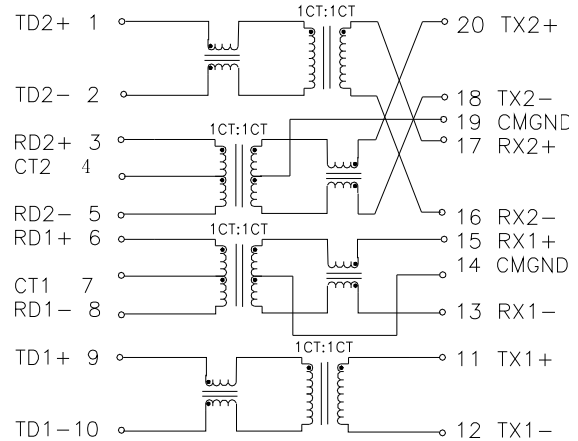
AE-DB20306



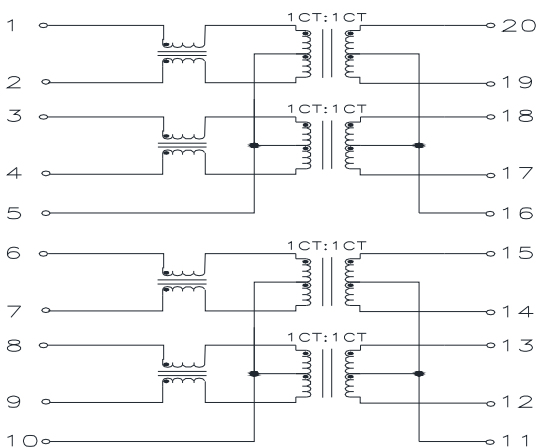
AE-DB20307



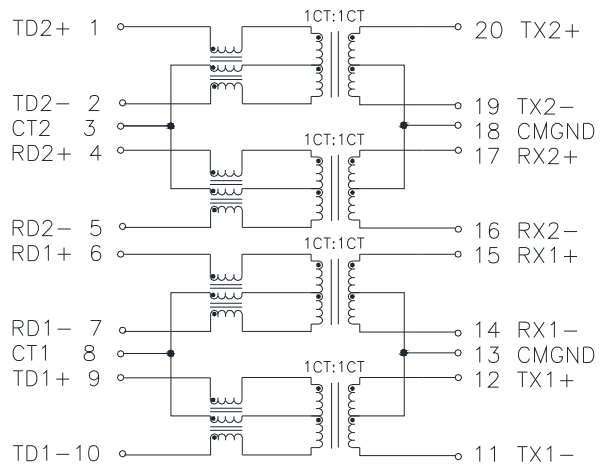
AE-DB20308



AE-DC20309



AE-DB20310



Specification	Packing Manner	Q'ty per Tube/Reel	Q'ty/Inner box	Q'ty/Carton
AE-DB200XX	TUBE	24	/	5400

Address: Room 1720, Block A, Xinian Centre, Shennan Road, Futian District, Shenzhen, Guangdong, P.R. China

Tel : +86 (755) 86538552 Fax : +86 (755) 26653184 Post Code : 518057

Http: www.appselectronics.com E-mail: sales@appselectronics.com