

10/100 BASE LAN TRANSFORMER

- Compliant with IEEE 802.3 standard.
- RoHS compliant.
- Operating temperature range :0°C to +70°C.
- Storage temperature range: 0°C to +85°C.

Electrical Specifications @ 25°C

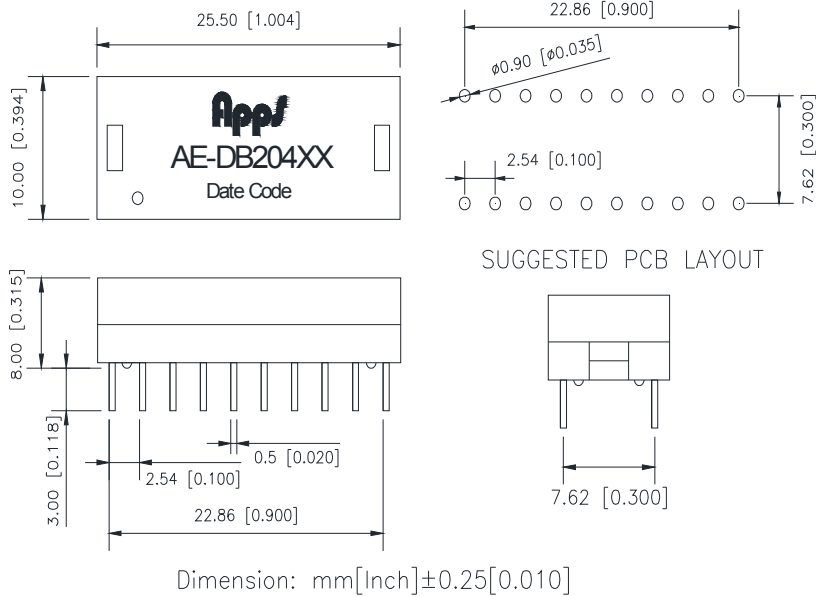
Part Number	Turns Ratio (±5%)		OCL(μH Min) @100KHz/0.1V With DC8.0 mA	Insertion Loss (dB Max)	HI-POT (Vrms)
	TX	RX		0.3-100MHz	
AE-DB20401	1CT:1CT	1CT:1CT	350	-1.1	1500
AE-DB20401F	1CT:1CT	1CT:1CT	350	-1.1	1500
AE-DB20402	1CT:1CT	1CT:1CT	350	-1.1	1500
AE-DB20403	1CT:1CT	1CT:1CT	350	-1.1	1500
AE-DB20404	1CT:1CT	1CT:1CT	350	-1.1	1500
AE-DB20405	1CT:1CT	1CT:1CT	350	-1.1	1500
AE-DB20406	1CT:1CT	1CT:1CT	350	-1.1	1500
AE-DB20407	1CT:1CT	1CT:1CT	350	-1.1	1500
AE-DB20408	1CT:1CT	1CT:1CT	350	-1.1	1500
AE-DB20409	1CT:1CT	1CT:1CT	350	-1.1	1500

Continue

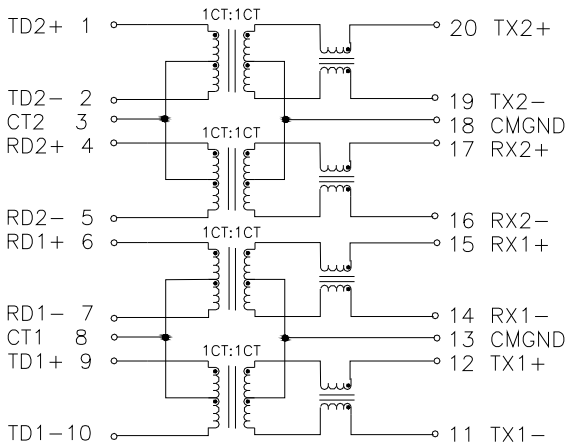
Part Number	Return Loss (dB Min)			Cross Talk (dB Min)	DCMR (dB Min)		
	0.3-30MHz	40MHz	60-80MHz	0.3-100MHz	30MHz	60MHz	100MHz
AE-DB20401	-18	-14.4	-12	-30	-37	-33	-30
AE-DB20401F	-18	-14.4	-12	-30	-37	-33	-30
AE-DB20402	-18	-14.4	-12	-30	-37	-33	-30
AE-DB20403	-18	-14.4	-12	-30	-37	-33	-30
AE-DB20404	-18	-14.4	-12	-30	-37	-33	-30
AE-DB20405	-18	-14.4	-12	-30	-37	-33	-30
AE-DB20406	-18	-14.4	-12	-30	-37	-33	-30
AE-DB20407	-18	-14.4	-12	-30	-37	-33	-30
AE-DB20408	-18	-14.4	-12	-30	-37	-33	-30
AE-DB20409	-18	-14.4	-12	-30	-37	-33	-30

10/100 BASE LAN TRANSFORMER

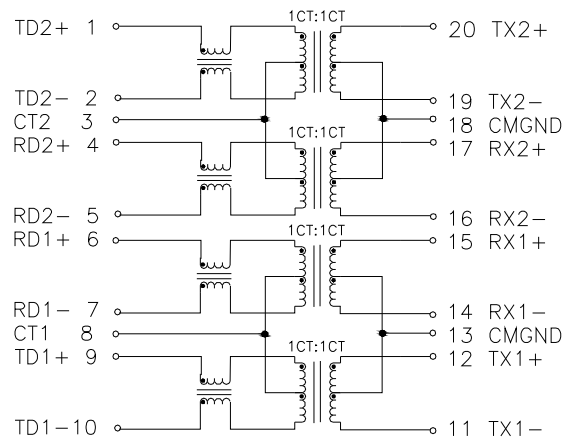
Mechanicals:



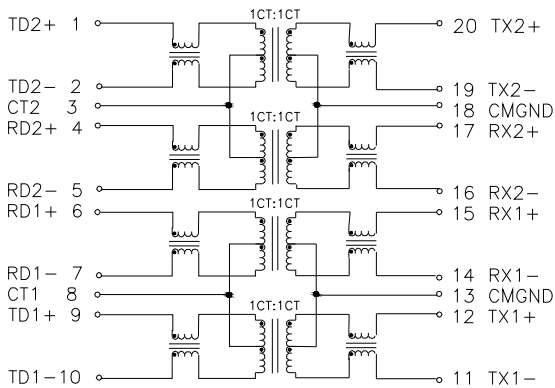
AE-DB20401



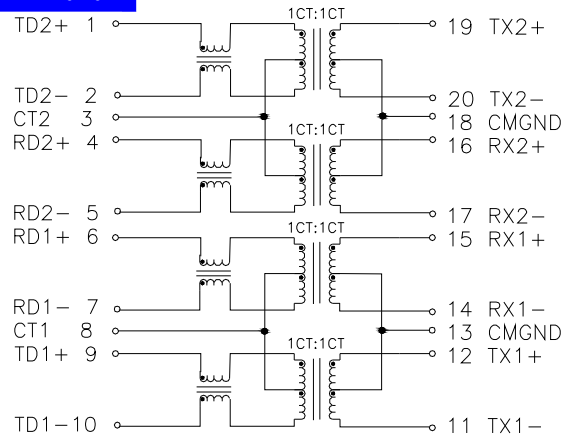
AE-DB20402



AE-DB20403

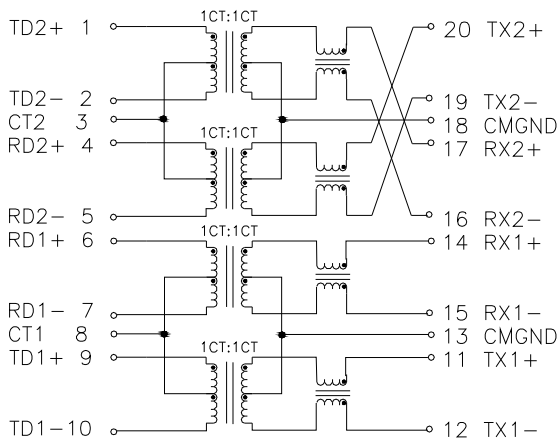


AE-DB20404

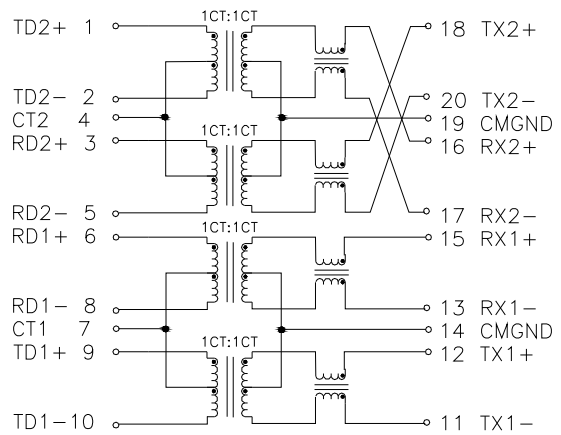


10/100 BASE LAN TRANSFORMER

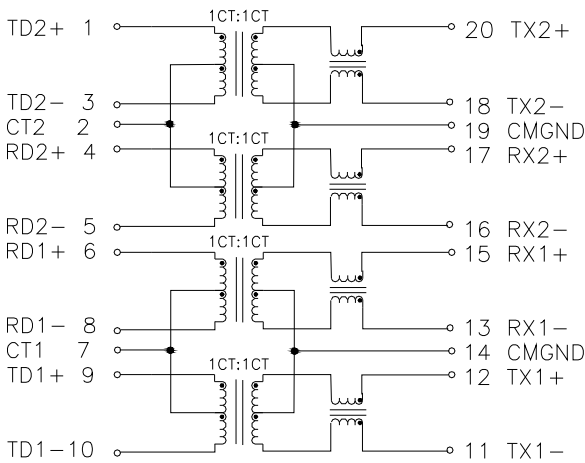
AE-DB20405



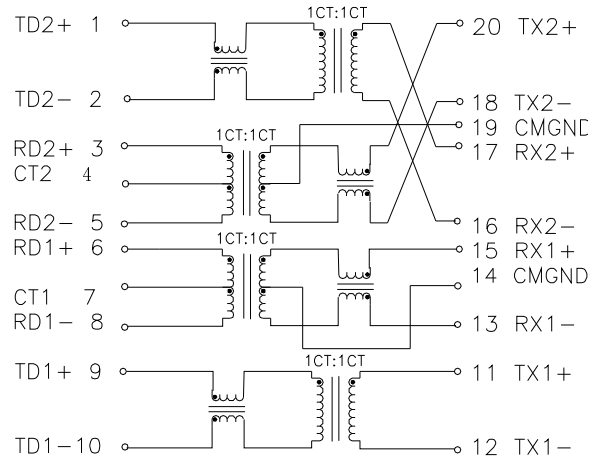
AE-DB20406



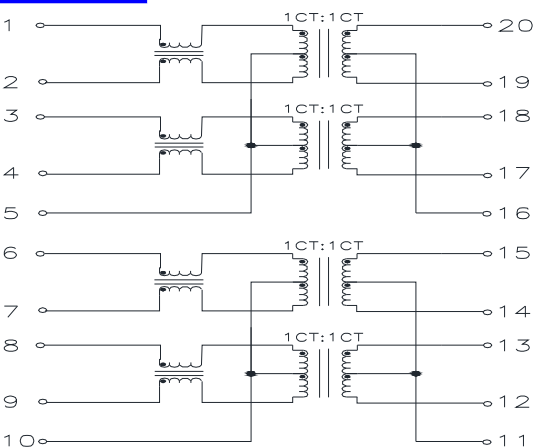
AE-DB20407



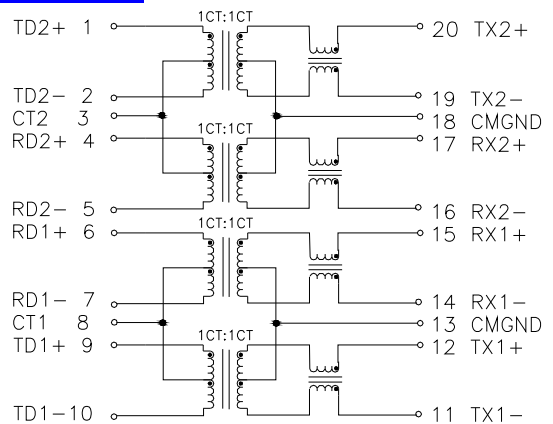
AE-DB20408



AE-DB20409



AE-DB20401F



Specification	Packing Manner	Q'ty per Tube/Reel	Q'ty/Inner box	Q'ty/Carton
AE-DB204XX	TUBE	19	/	3705