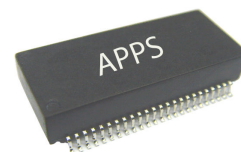


10/100/1000 BASE LAN TRANSFORMER

- Compliant with IEEE 802.3 standard.
- RoHS compliant.
- Operating temperature range :0°C to +70°C.
- Storage temperature range: 0°C to +85°C.



Electrical Specifications @ 25°C

Part Number	Turns Ratio (±5%)		OCL(μH Min) @100KHz/0.1V with 8.0mA DC	Insertion Loss (dB Max)	HI-POT (Vrms)
	TX	RX		0.3-100MHz	
AE-SC48001	1CT:1CT	1CT:1CT	350	-1.1	1500
AE-SC48001A	1CT:1CT	1CT:1CT	350	-1.1	1500
AE-SC48001F	1CT:1CT	1CT:1CT	350	-1.1	1500
AE-SC48001H	1CT:1CT	1CT:1CT	350	-1.1	1500
AE-SC48001P	1CT:1CT	1CT:1CT	350	-1.1	1500
AE-SC48001PH	1CT:1CT	1CT:1CT	350	-1.1	1500
AE-SC48001PT	1CT:1CT	1CT:1CT	350	-1.1	4300
AE-SC48001A	1CT:1CT	1CT:1CT	350	-1.1	1500
AE-SC48002	1CT:1CT	1CT:1CT	350	-1.1	1500
AE-SC48002P	1CT:1CT	1CT:1CT	350	-1.1	1500
AE-SC48002PH	1CT:1CT	1CT:1CT	350	-1.1	1500
AE-SC48003	1CT:1CT	1CT:1CT	350	-1.1	1500
AE-SC48003P	1CT:1CT	1CT:1CT	350	-1.1	1500
AE-SC48004	1CT:1CT	1CT:1CT	350	-1.1	1500
AE-SC48005	1CT:1CT	1CT:1CT	350	-1.1	1500
AE-SC48006	1CT:1CT	1CT:1CT	350	-1.1	1500
AE-SC48007	1CT:1CT	1CT:1CT	350	-1.1	1500
AE-SC48008	1CT:1CT	1CT:1CT	350	-1.1	1500
AE-SC48008P	1CT:1CT	1CT:1CT	350	-1.1	1500
AE-SC48009	1CT:1CT	1CT:1CT	350	-1.1	1500
AE-SC48010	1CT:1CT	1CT:1CT	350	-1.1	1500
AE-SC48010P	1CT:1CT	1CT:1CT	350	-1.1	1500

Continue

Part Number	Return Loss (dB Min)			Cross Talk (dB Min)	DCMR (dB Min)		
	1-30 MHz	40 MHz	60-100MHz		100 MHz	30 MHz	60 MHz

Address: Room 1720, Block A, Xinian Centre, Shennan Road, Futian District, Shenzhen, Guangdong, P.R. China

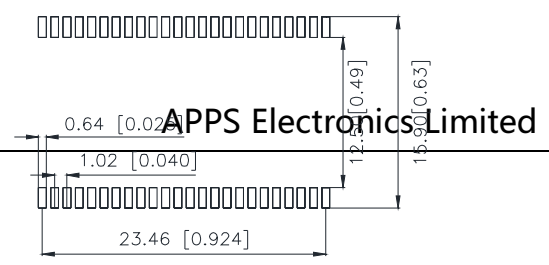
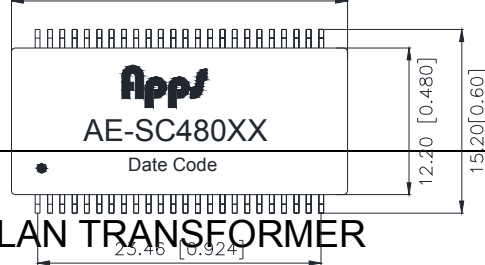
Tel : +86 (755) 86538552 Fax : +86 (755) 26653184 Post Code : 518057

Http: www.appselectronics.com E-mail: sales@appselectronics.com

AE-SC48001	-18	-14.4	-12	-30	-37	-33	-30
AE-SC48001A	-18	-14.4	-12	-30	-37	-33	-30
AE-SC48001F	-18	-14.4	-12	-30	-37	-33	-30
AE-SC48001H	-18	-14.4	-12	-30	-37	-33	-30
AE-SC48001P	-18	-14.4	-12	-30	-37	-33	-30
AE-SC48001PH	-18	-14.4	-12	-30	-37	-33	-30
AE-SC48001PT	-18	-14.4	-12	-30	-37	-33	-30
AE-SC48001A	-18	-14.4	-12	-30	-37	-33	-30
AE-SC48002	-18	-14.4	-12	-30	-37	-33	-30
AE-SC48002P	-18	-14.4	-12	-30	-37	-33	-30
AE-SC48002PH	-18	-14.4	-12	-30	-37	-33	-30
AE-SC48003	-18	-14.4	-12	-30	-37	-33	-30
AE-SC48003P	-18	-14.4	-12	-30	-37	-33	-30
AE-SC48004	-18	-14.4	-12	-30	-37	-33	-30
AE-SC48005	-18	-14.4	-12	-30	-37	-33	-30
AE-SC48006	-18	-14.4	-12	-30	-37	-33	-30
AE-SC48007	-18	-14.4	-12	-30	-37	-33	-30
AE-SC48008	-18	-14.4	-12	-30	-37	-33	-30
AE-SC48008P	-18	-14.4	-12	-30	-37	-33	-30
AE-SC48009	-18	-14.4	-12	-30	-37	-33	-30
AE-SC48010	-18	-14.4	-12	-30	-37	-33	-30
AE-SC48010P	-18	-14.4	-12	-30	-37	-33	-30

The Part Number "H": High temperature & The temperature of the wide. "P": Compliant with IEEE 802.3at standard.

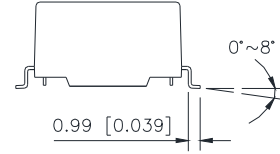
"T": High HI-POT.



10/100/1000 BASE LAN TRANSFORMER

Mechanicals:

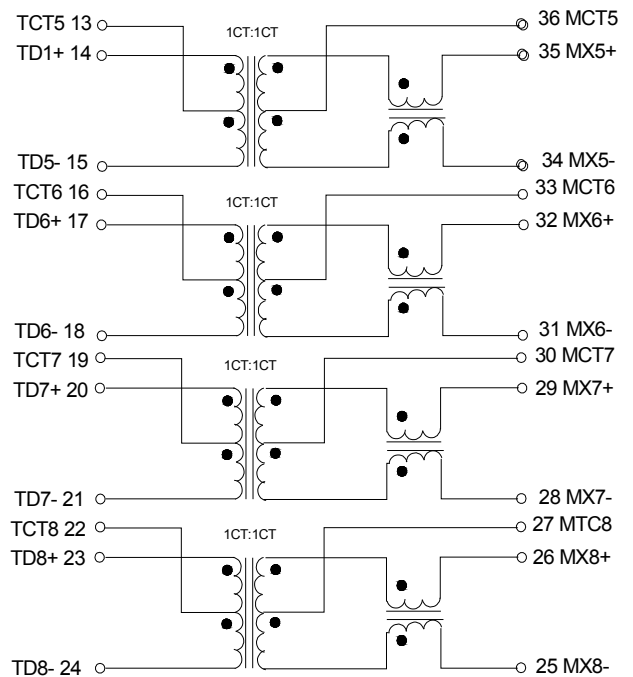
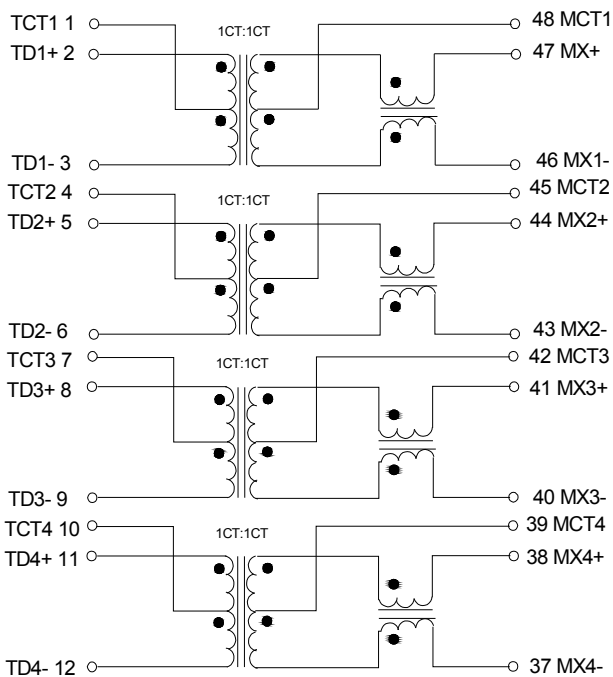
SUGGESTED PCB LAYOUT



Dimension: mm[Inch]±0.25[0.010]

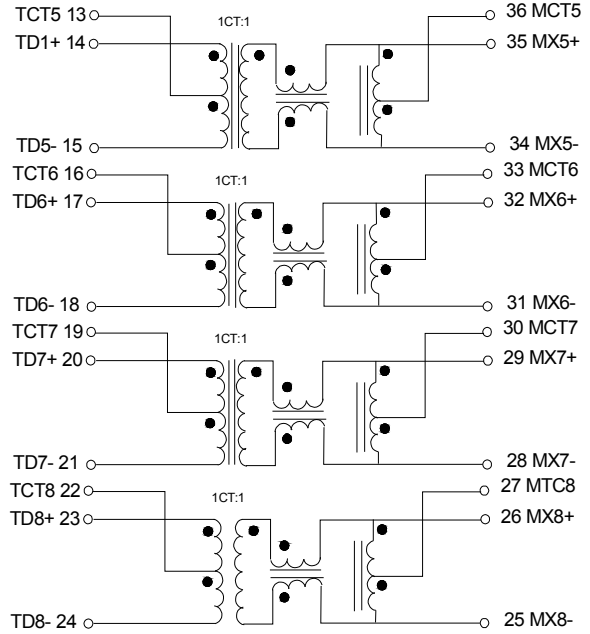
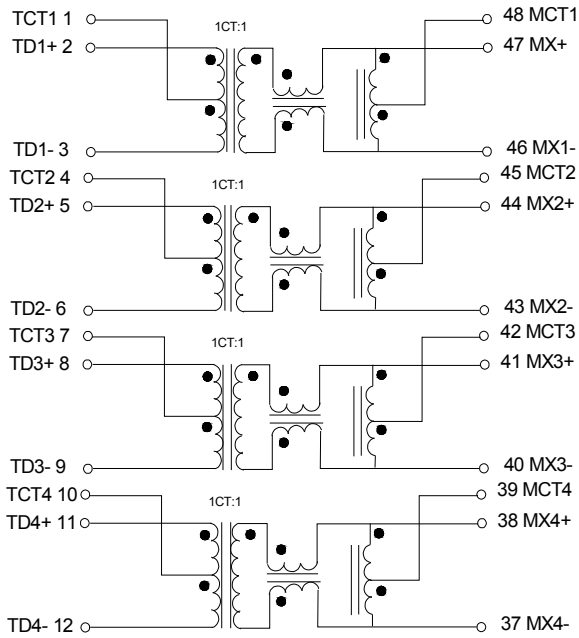
SCHEMATICS:

AE-SC48001

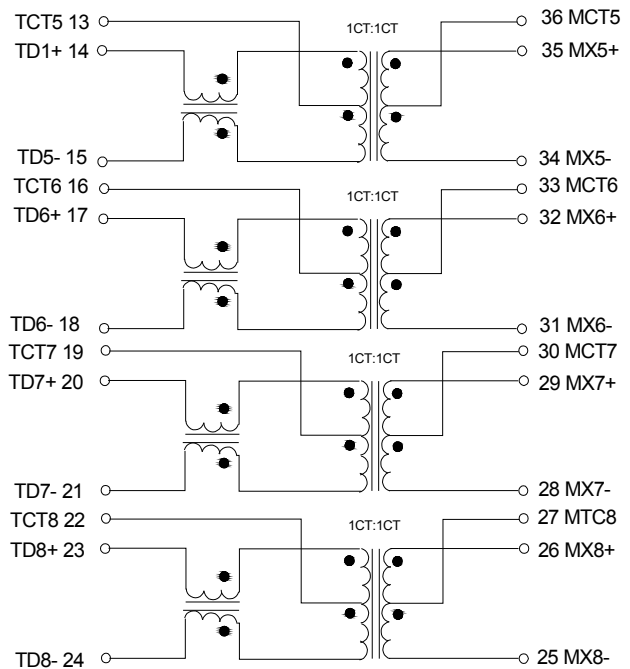
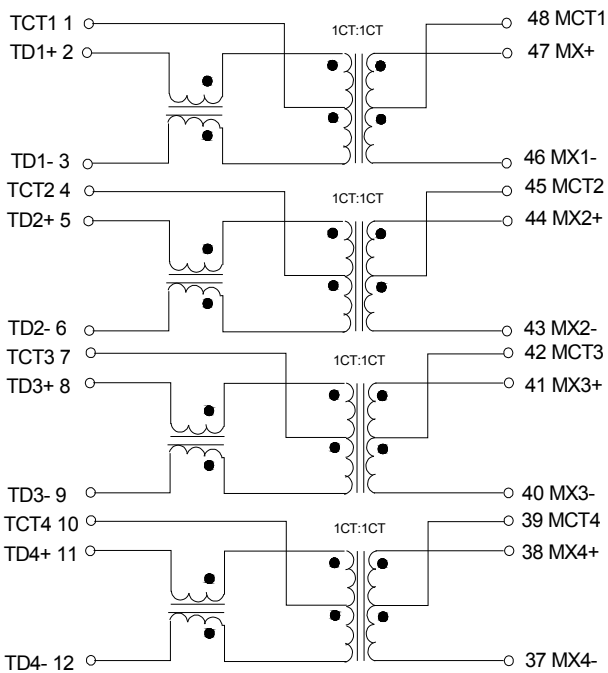


10/100/1000 BASE LAN TRANSFORMER

AE-SC48001A

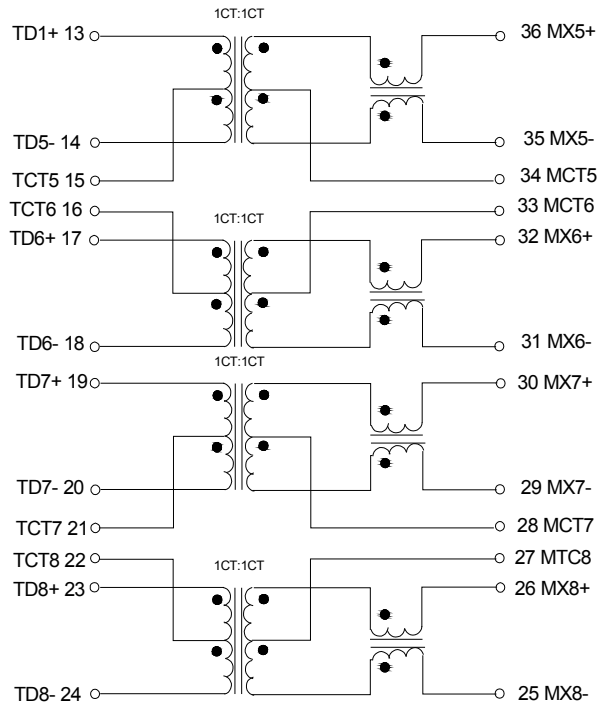
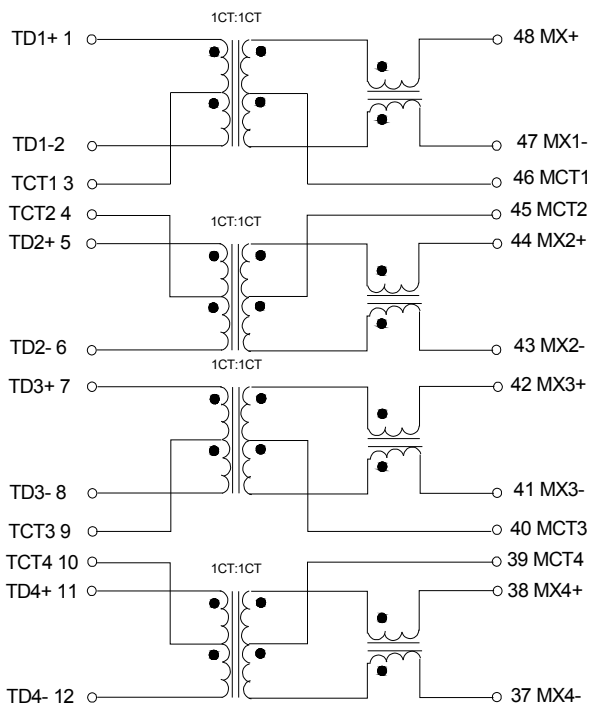


AE-SC48002/AE-SC48009

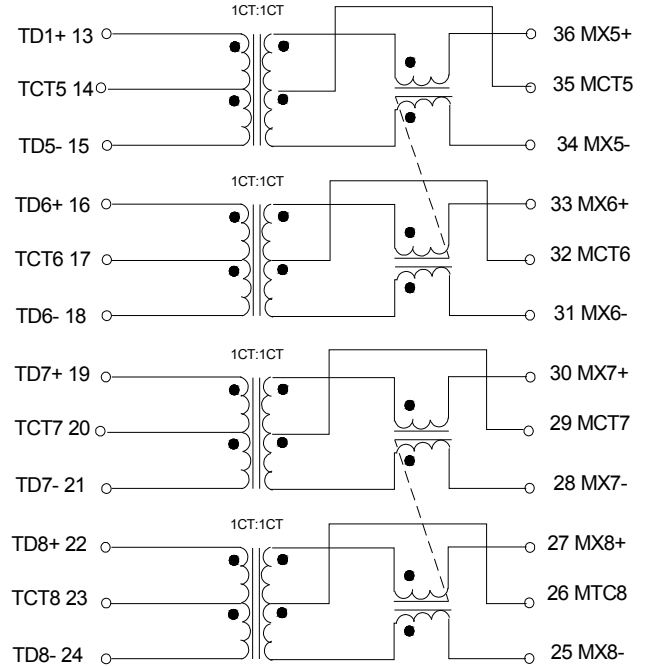
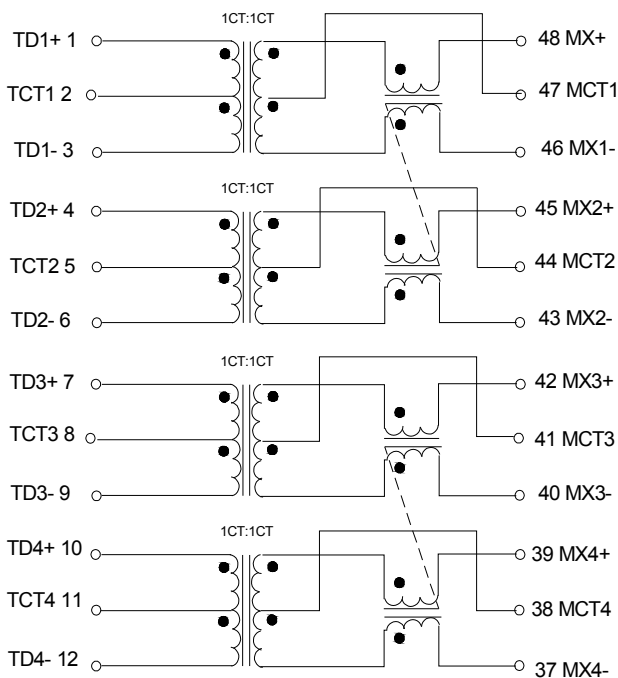


10/100/1000 BASE LAN TRANSFORMER

AE-SC48003

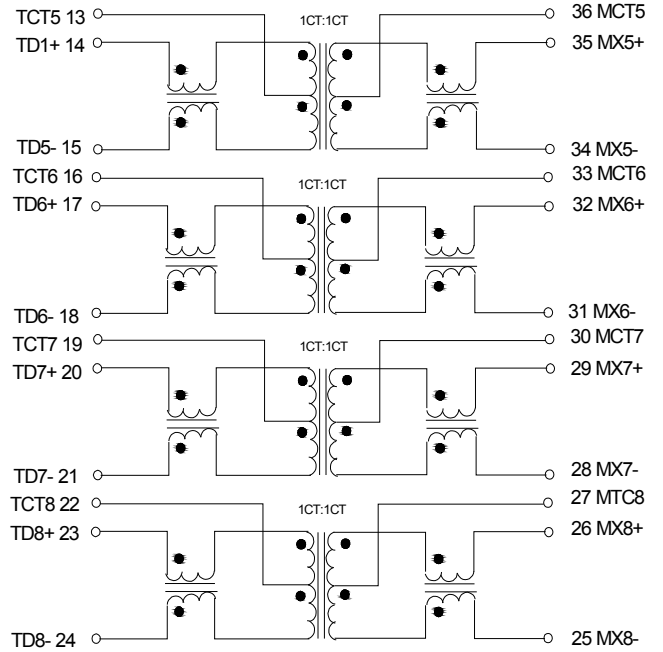
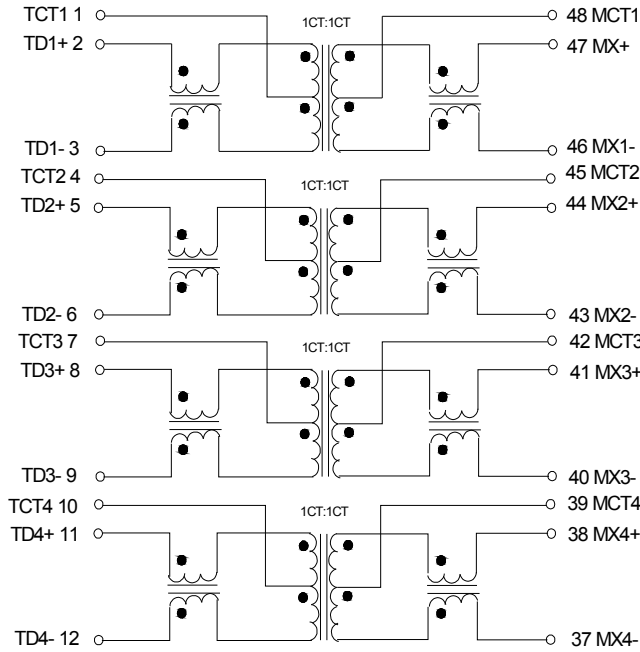


AE-SC48004

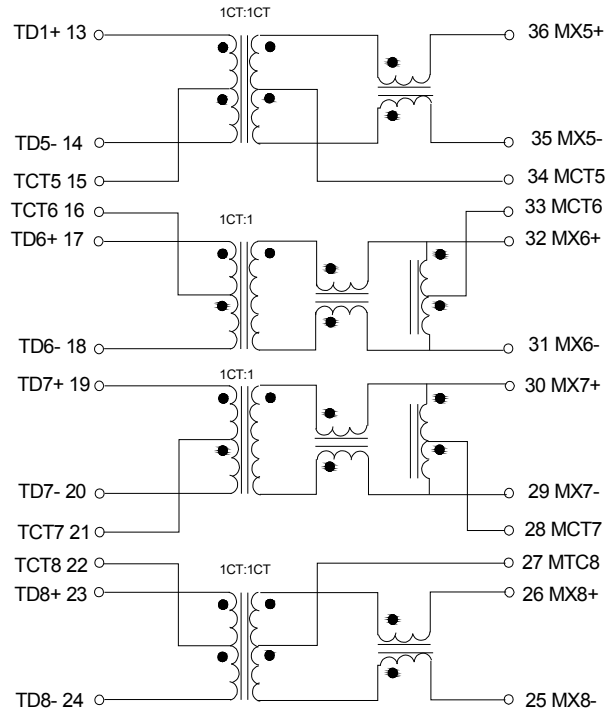
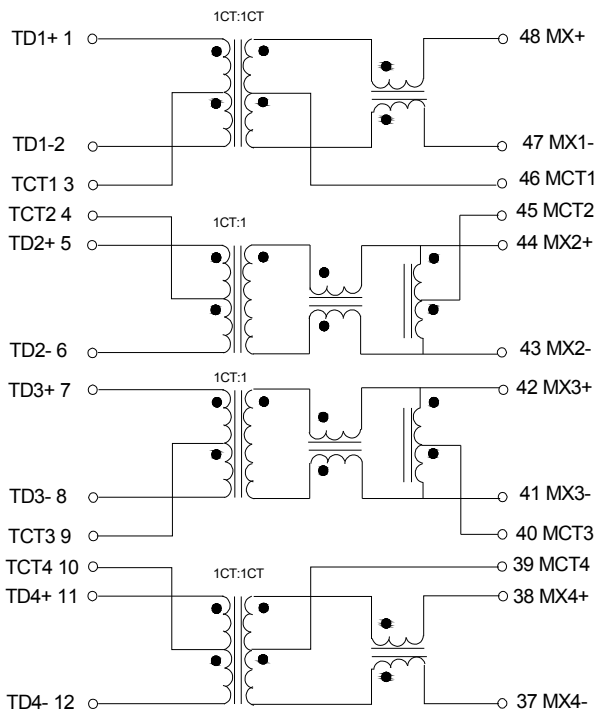


10/100/1000 BASE LAN TRANSFORMER

AE-SC48005

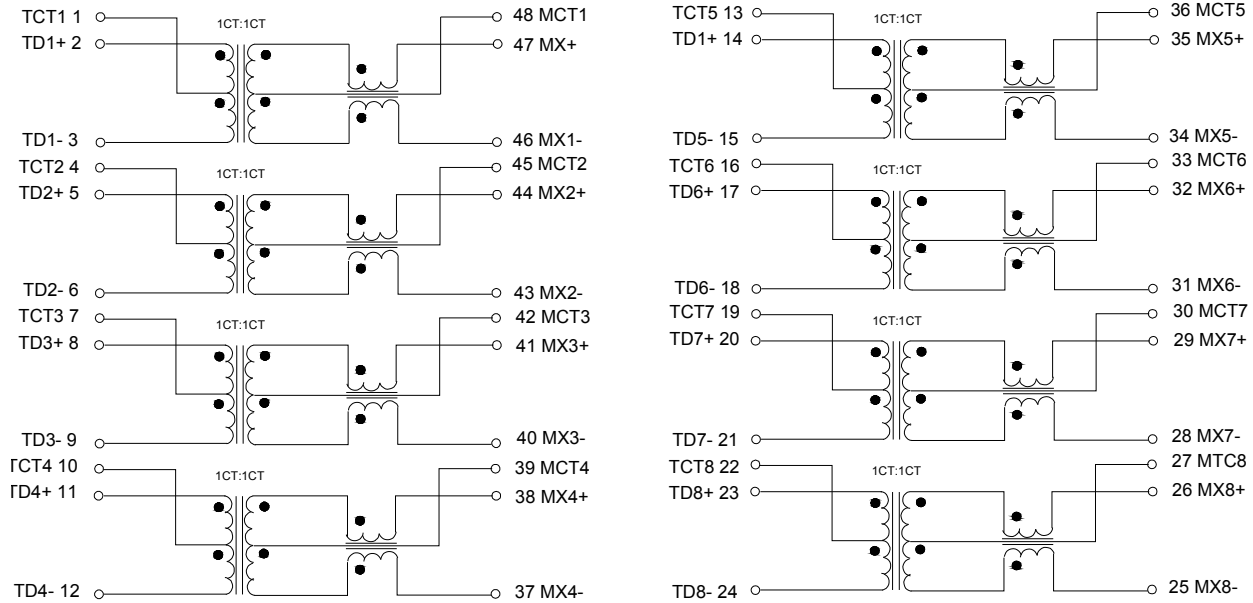


AE-SC48006

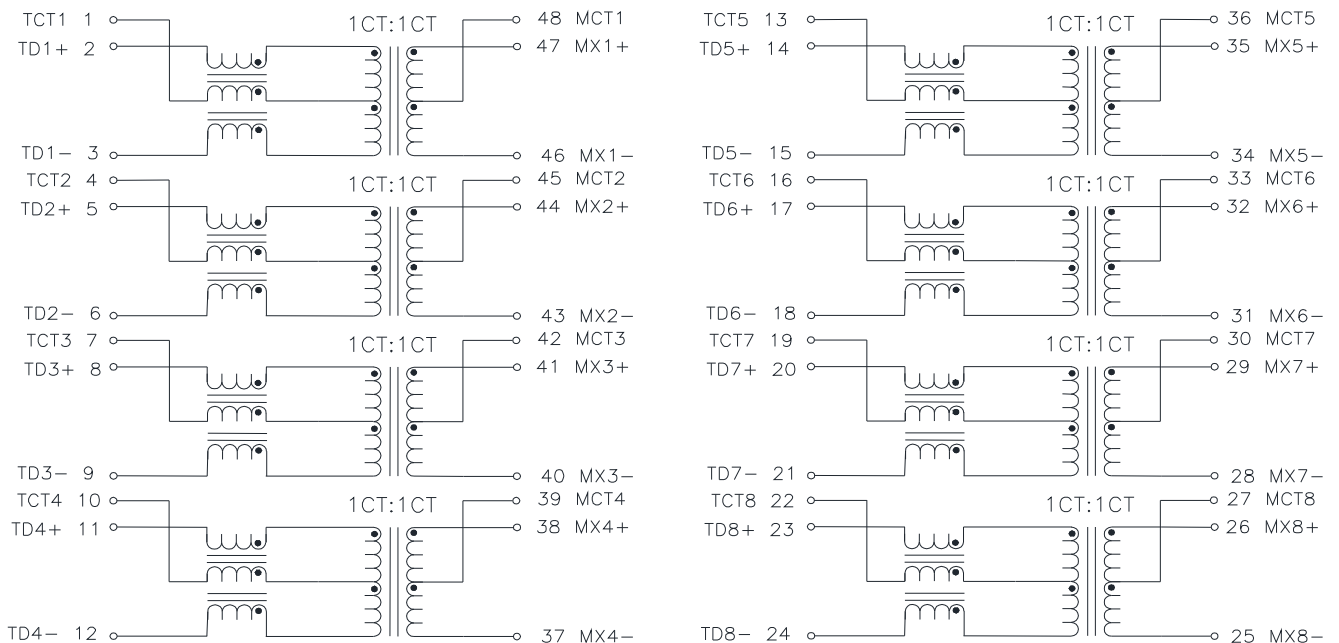


10/100/1000 BASE LAN TRANSFORMER

AE-SC48007

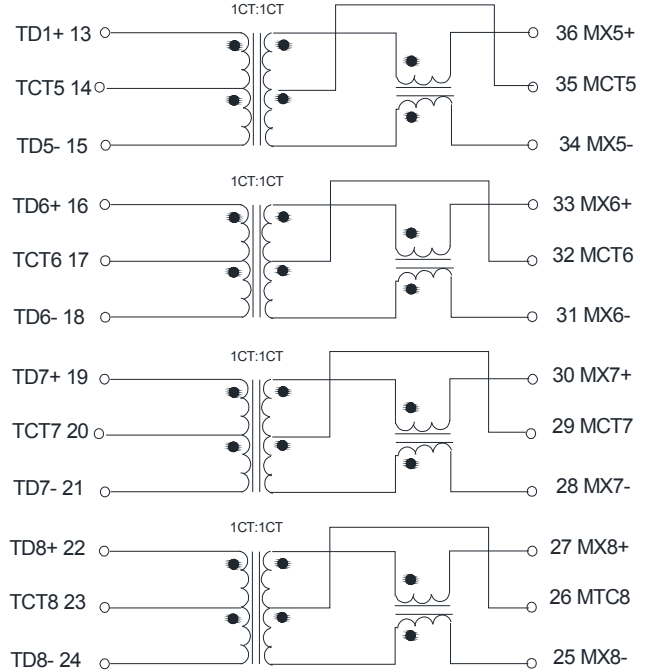
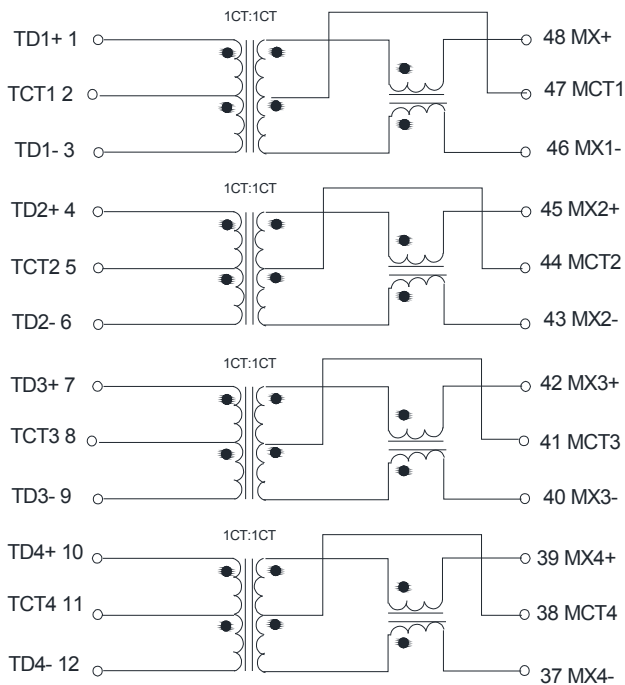


AE-SC48008



10/100/1000 BASE LAN TRANSFORMER

AE-SC48010



Specification	Packing Manner	Q'ty per Tube/Reel	Q'ty/Inner box	Q'ty/Carton
AE-SC480XX	TUBE	18	720	2430
	REEL	350	700	1400