

10/100/1000 BASE SINGLE PORT TRANSFORMER

- Compliant with IEEE 802.3 standard.
- RoHS compliant.
- Operating temperature range :0°C to +70°C.
- Storage temperature range: 0°C to +85°C.

Electrical Specifications @ 25°C

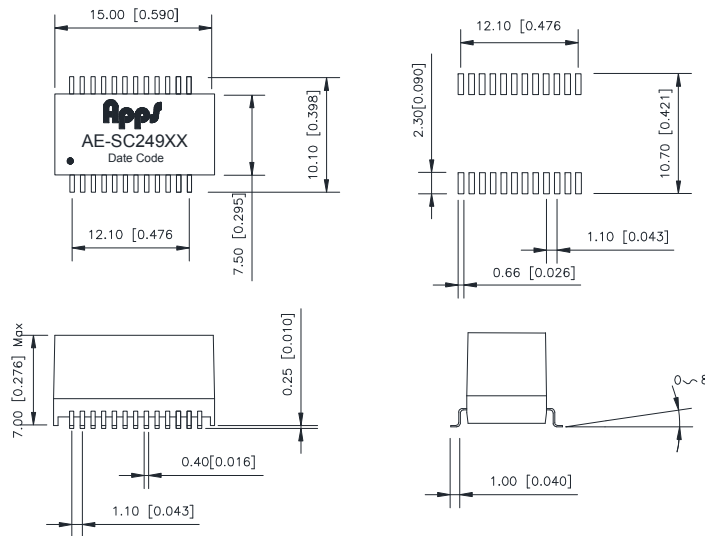
| Part Number | Turns Ratio (±5%) | | OCL(μH Min) @100KHz/0.1V With DC8.0mA | Insertion Loss (dB Max) 0.3-100MHz | HI-POT (Vrms) |
|--------------|-------------------|---------|---|--|------------------|
| | TX | RX | | | |
| AE-SC24901 | 1CT:1CT | 1CT:1CT | 350 | -1.1 | 1500 |
| AE-SC24902P | 1CT:1CT | 1CT:1CT | 350 | -1.1 | 1500 |
| AE-SC24902PH | 1CT:1CT | 1CT:1CT | 350 | -1.1 | 1500 |

Continue

| Part Number | Return Loss (dB Min) | | | Cross Talk (dB Min) 0.3-100MHz | DCMR (dB Min) | | |
|--------------|-------------------------|-------|----------|--------------------------------------|------------------|-------|--------|
| | 0.3-30MHz | 40MHz | 60-80MHz | | 30MHz | 60MHz | 100MHz |
| AE-SC24901 | -18 | -14.4 | -12 | -30 | -40 | -35 | -30 |
| AE-SC24902P | -18 | -14.4 | -12 | -30 | -40 | -35 | -30 |
| AE-SC24902PH | -18 | -14.4 | -12 | -30 | -40 | -35 | -30 |

The Part Number "H": High temperature & The temperature of the wide. "P": Compliant with IEEE 802.3at standard.

Mechanicals:



Dimension:mm[Inch]±0.25[0.010]

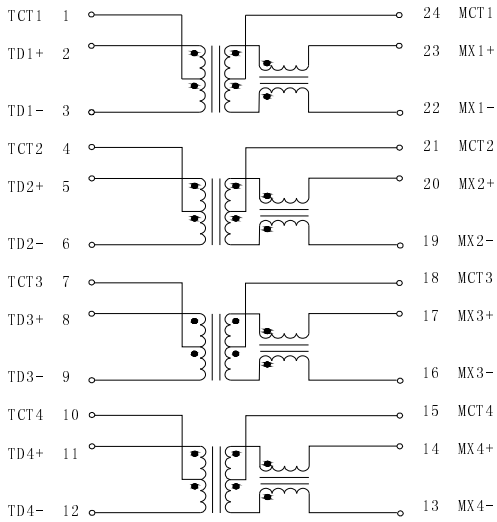
Address:Room 1720, Block A, Xinian Centre, Shennan Road, Futian District, Shenzhen, Guangdong, P.R. China

Tel : +86 (755) 86538552 Fax : +86 (755) 26653184 Post Code : 518057

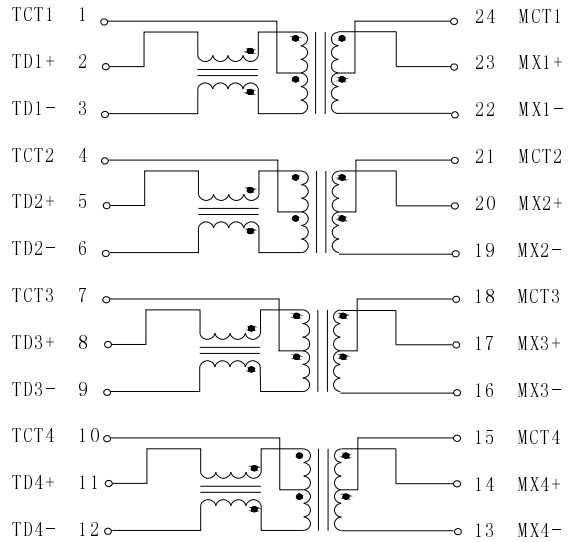
Http: www.appselectronics.com E-mail: sales@appselectronics.com

10/100/1000 BASE SINGLE PORT TRANSFORMER

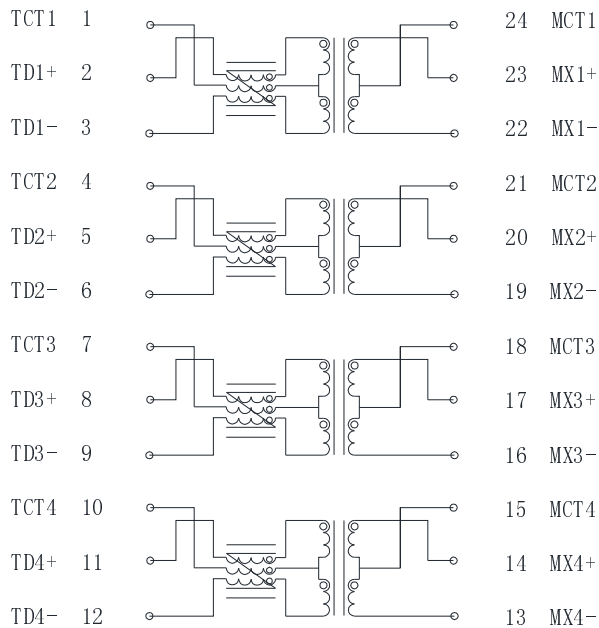
AE-SC24901



AE-SC24902



AE-SC24903



| Specification | Packing Manner | Q'ty per Tube/Reel | Q'ty/Inner box | Q'ty/Carton |
|---------------|----------------|--------------------|----------------|-------------|
| AE-SC249XX | TUBE | 34 | / | 6528 |
| | REEL | 400 | 1200 | 2400 |