

### 10/100/1000 BASE SINGLE PORT TRANSFORMER

- Compliant with IEEE 802.3 standard.
- RoHS compliant.
- Operating temperature range :0°C to +70°C.
- Storage temperature range:0°C to +85°C.

**Electrical Specifications @ 25°C**

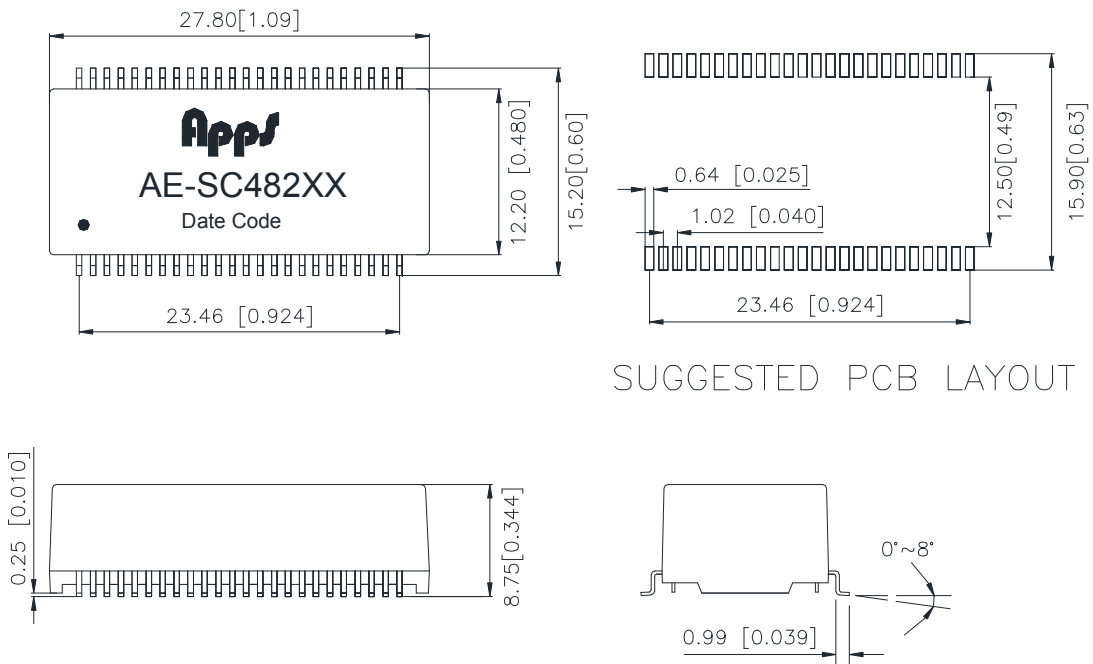
Part Number	Turns Ratio (±5%)		OCL(μH Min) @100KHz/0.1V With DC8.0mA	Insertion Loss (dB Max) 0.3-100MHz	HI-POT (Vrms)
	TX	RX			
AE-SC48201P	1CT:1CT	1CT:1CT	350@ With DC 24.0mA	-1.4	1500

**Continue**

Part Number	Return Loss (dB Min)			Cross Talk (dB Min) 0.3-100MHz	DCMR (dB Min)		
	0.3-30MHz	40MHz	60-80MHz		30MHz	60MHz	100MHz
AE-SC48201P	-16	-13.1	-9	-30	-40	-35	-30

The Part Number "P": Compliant with IEEE 802.3at standard.











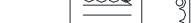
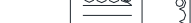




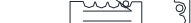
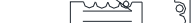






**Mechanicals:**



























Dimension: mm[Inch]±0.25[0.010]

## 10/100/1000 BASE SINGLE PORT TRANSFORMER

### AE-SC48201

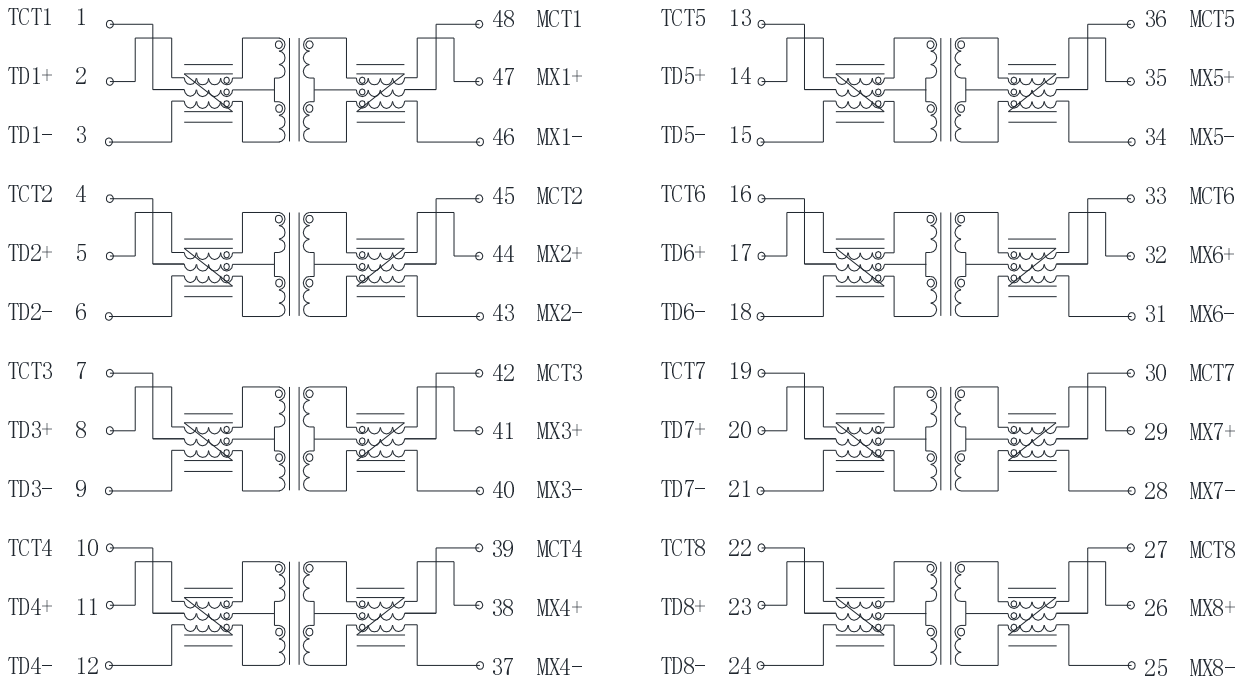
TCT1 1		48 MCT1	TCT5 13		36 MCT5
TD1+ 2		47 MX1+	TD5+ 14		35 MX5+
TD1- 3		46 MX1-	TD5- 15		34 MX5-
TCT2 4		45 MCT2	TCT6 16		33 MCT6
TD2+ 5		44 MX2+	TD6+ 17		32 MX6+
TD2- 6		43 MX2-	TD6- 18		31 MX6-
TCT3 7		42 MCT3	TCT7 19		30 MCT7
TD3+ 8		41 MX3+	TD7+ 20		29 MX7+
TD3- 9		40 MX3-	TD7- 21		28 MX7-
TCT4 10		39 MCT4	TCT8 22		27 MCT8
TD4+ 11		38 MX4+	TD8+ 23		26 MX8+
TD4- 12		37 MX4-	TD8- 24		25 MX8-

### AE-SC48202

TCT1 1		48 MCT1	TCT5 13		36 MCT5
TD1+ 2		47 MX1+	TD5+ 14		35 MX5+
TD1- 3		46 MX1-	TD5- 15		34 MX5-
TCT2 4		45 MCT2	TCT6 16		33 MCT6
TD2+ 5		44 MX2+	TD6+ 17		32 MX6+
TD2- 6		43 MX2-	TD6- 18		31 MX6-
TCT3 7		42 MCT3	TCT7 19		30 MCT7
TD3+ 8		41 MX3+	TD7+ 20		29 MX7+
TD3- 9		40 MX3-	TD7- 21		28 MX7-
TCT4 10		39 MCT4	TCT8 22		27 MCT8
TD4+ 11		38 MX4+	TD8+ 23		26 MX8+
TD4- 12		37 MX4-	TD8- 24		25 MX8-

## 10/100/1000 BASE SINGLE PORT TRANSFORMER

**AE-SC48203**



Specification	Packing Manner	Q'ty per Tube/Reel	Q'ty/Inner box	Q'ty/Carton
AE-SC482XX	TUBE	18	/	2430
	REEL	250	500	1000