

10/100/1000 BASE SINGLE PORT TRANSFORMER

- Compliant with IEEE 802.3 standard.
- RoHS compliant.
- Operating temperature range :0°C to +70°C.
- Storage temperature range: 0°C to +85°C.

Electrical Specifications @ 25°C

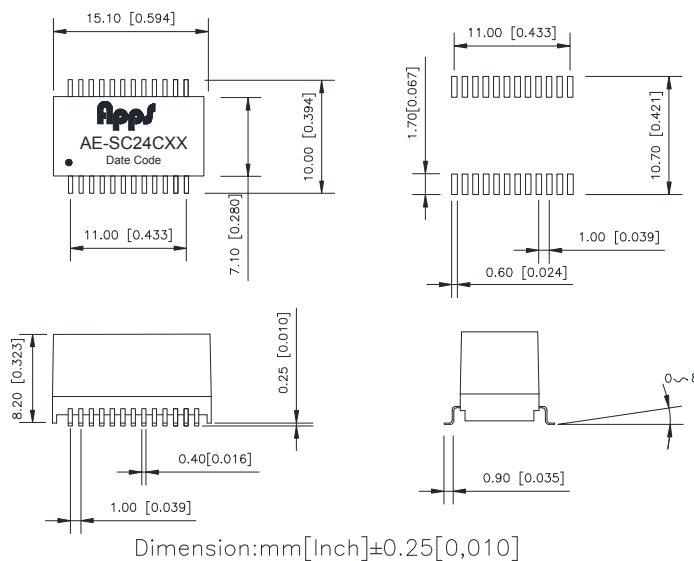
Part Number	Turns Ratio (±5%)		OCL(μH Min) @100KHz/0.1V With DC8.0mA		Insertion Loss (dB Max) 0.3-100MHz	HI-POT (Vrms)
	TX	RX				
AE-SC24C01H	1CT:1CT	1CT:1CT	350		-1.1	1500
AE-SC24C02	1CT:1CT	1CT:1CT	350		-1.1	1500
AE-SC24C02PH	1CT:1CT	1CT:1CT	350@ With DC11mA	120@ With DC11mA	-1.1	1500
AE-SC24C03H	1CT:1CT	1CT:1CT	350		-1.1	1500

Continue

Part Number	Return Loss (dB Min)			Cross Talk (dB Min) 0.3-100MHz	DCMR (dB Min)		
	0.3-30MHz	40MHz	60-80MHz		30MHz	60MHz	100MHz
AE-SC24C01H	-18	-14.4	-12	-30	-40	-35	-30
AE-SC24C02	-18	-14.4	-12	-30	-40	-35	-30
AE-SC24C02PH	-18	-14.4	-12	-30	-40	-35	-30
AE-SC24C03H	-18	-14.4	-12	-30	-40	-35	-30

The Part Number "H": High temperature & The temperature of the wide. "P": Compliant with IEEE 802.3at standard.

Mechanicals:



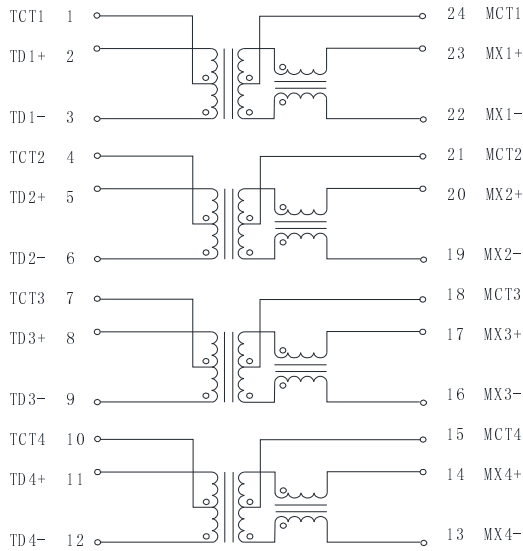
Address:Room 1720, Block A, Xinian Centre, Shennan Road, Futian District, Shenzhen, Guangdong, P.R. China

Tel : +86 (755) 86538552 Fax : +86 (755) 26653184 Post Code : 518057

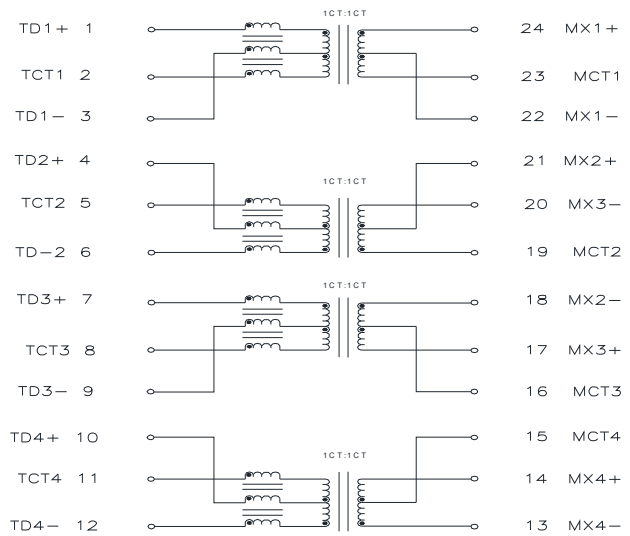
Http: www.appselectronics.com E-mail: sales@appselectronics.com

10/100/1000 BASE SINGLE PORT TRANSFORMER

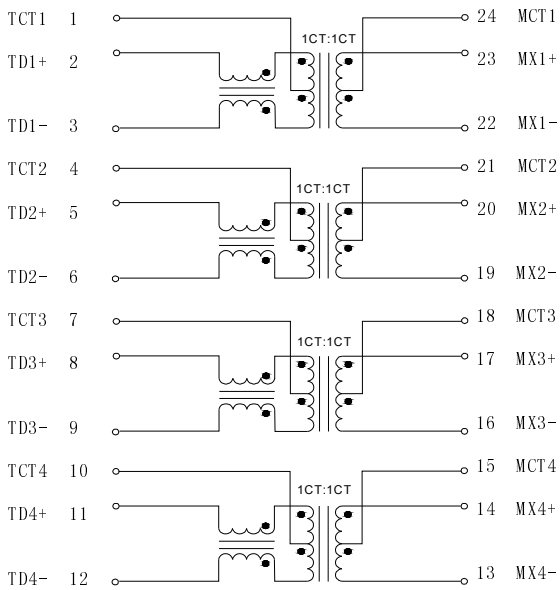
AE-SC24C01



AE-SC24C02



AE-SC24C03



Specification	Packing Manner	Q'ty per Tube/Reel	Q'ty/Inner box	Q'ty/Carton
AE-SC24CXX	TUBE	34	/	6528
	REEL	400	1200	2400