

10/100/1000 BASE SINGLE PORT TRANSFORMER

- Compliant with IEEE 802.3 standard.
- RoHS compliant.
- Operating temperature range :0°C to +70°C.
- Storage temperature range: 0°C to +85°C.

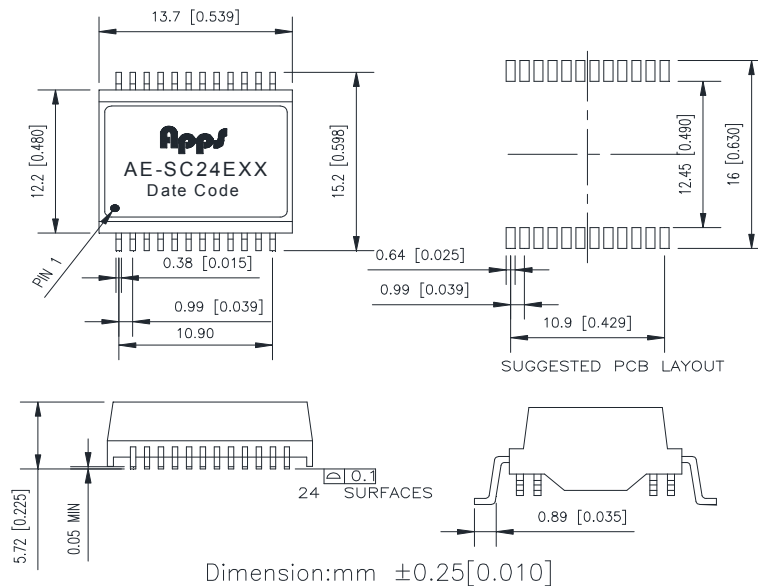
Electrical Specifications @ 25°C

Part Number	Turns Ratio (±5%)		OCL(μH Min) @100KHz/0.1V With DC8.0mA	Insertion Loss (dB Max) 0.3-100MHz	HI-POT (Vrms)
	TX	RX			
AE-SC24E01	1CT:1CT	1CT:1CT	350	-1.1	1500
AE-SC24E01A	1CT:1CT	1CT:1CT	350	-1.1	1500
AE-SC24E02	1CT:1CT	1CT:1CT	350	-1.1	1500

Continue

Part Number	Return Loss (dB Min)			Cross Talk (dB Min) 0.3-100MHz	DCMR (dB Min)		
	0.3-30MHz	40MHz	60-80MHz		30MHz	60MHz	100MHz
AE-SC24E01	-18	-14.4	-12	-30	-40	-35	-30
AE-SC24E01A	-18	-14.4	-12	-30	-40	-35	-30
AE-SC24E02	-18	-14.4	-12	-30	-40	-35	-30

Mechanicals:



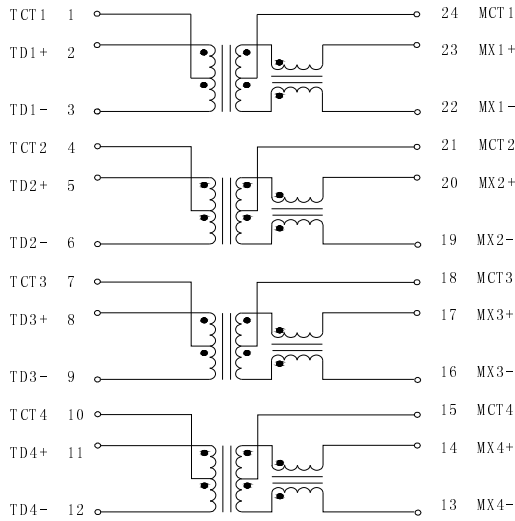
Address: Room 1720, Block A, Xinian Centre, Shennan Road, Futian District, Shenzhen, Guangdong, P.R. China

Tel : +86 (755) 86538552 Fax : +86 (755) 26653184 Post Code : 518057

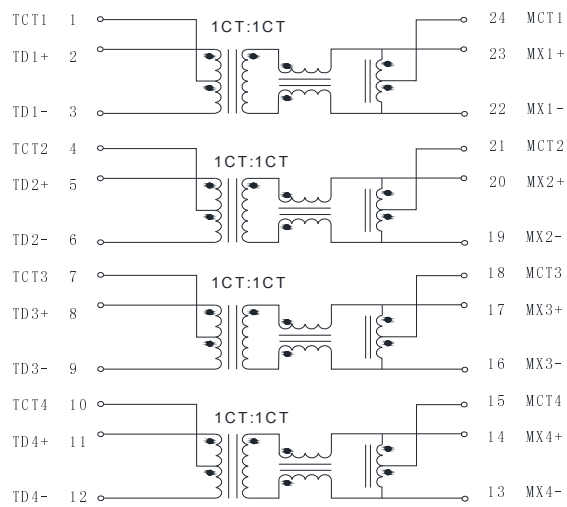
Http: www.appselectronics.com E-mail: sales@appselectronics.com

10/100/1000 BASE SINGLE PORT TRANSFORMER

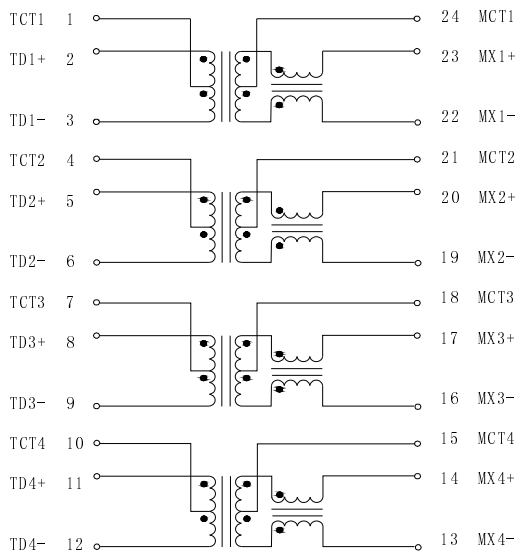
AE-SC24E01



AE-SC24E01A



AE-SC24E02



Specification	Packing Manner	Q'ty per Tube/Reel	Q'ty/Inner box	Q'ty/Carton
AE-SC24EXX	TUBE	36	/	5148
	REEL	350	700	1400



Address: Room 1720, Block A, Xinian Centre, Shennan Road, Futian District, Shenzhen, Guangdong, P.R. China

Tel : +86 (755) 86538552 Fax : +86 (755) 26653184 Post Code : 518057

Http : www.appselectronics.com E-mail: sales@appselectronics.com