

## 10/100/1000 BASE SINGLE PORT TRANSFORMER

- Compliant with IEEE 802.3 standard.
- RoHS compliant.
- Operating temperature range :-0°C to +70°C.
- Storage temperature range: -0°C to +85°C.

### Electrical Specifications @ 25°C

Part Number	Turns Ratio (±5%)		OCL(μH Min) @100KHz/0.1V With DC8.0mA	Insertion Loss (dB Max)	HI-POT (Vrms)
	TX	RX		0.3-100MHz	
AE-SC24H01	1CT:1CT	1CT:1CT	350	-1.1	1500
AE-SC24H01A	1CT:1CT	1CT:1CT	350	-1.1	1500
AE-SC24H02	1CT:1CT	1CT:1CT	350	-1.1	1500
AE-SC24H03	1CT:1CT	1CT:1CT	350	-1.1	1500
AE-SC24H04	1CT:1CT	1CT:1CT	350	-1.1	1500
AE-SC24H05	1CT:1CT	1CT:1CT	180	-1.1	1500
AE-SC24H06	1CT:1CT	1CT:1CT	350	-1.1	1500

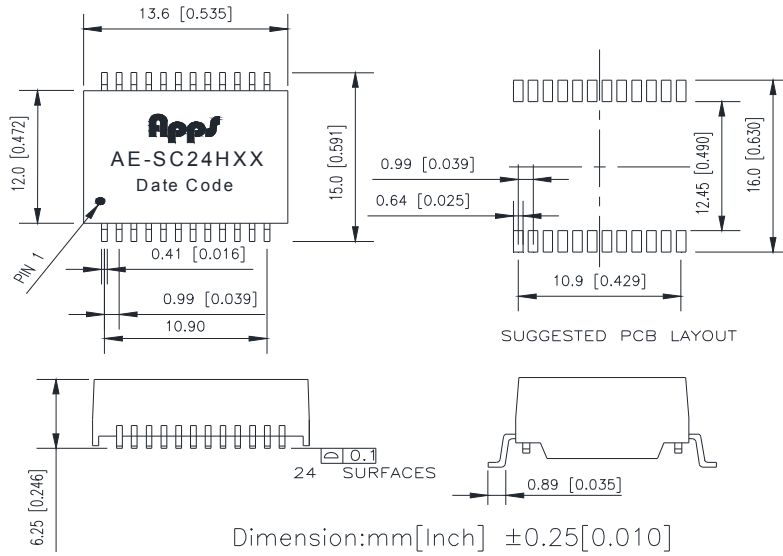
### Continue

Part Number	Return Loss (dB Min)			Cross Talk (dB Min)	DCMR (dB Min)		
	0.3-30MHz	40MHz	60-80MHz		0.3-100MHz	30MHz	60MHz
AE-SC24H01	-18	-14.4	-12	-30	-40	-35	-30
AE-SC24H01A	-18	-14.4	-12	-30	-40	-35	-30
AE-SC24H02	-18	-14.4	-12	-30	-40	-35	-30
AE-SC24H03	-18	-14.4	-12	-30	-40	-35	-30
AE-SC24H04	-18	-14.4	-12	-30	-40	-35	-30
AE-SC24H05	-18	-14.4	-12	-30	-40	-35	-30
AE-SC24H06	-18	-14.4	-12	-30	-40	-35	-30

The Part Number "H": High temperature & The temperature of the wide.

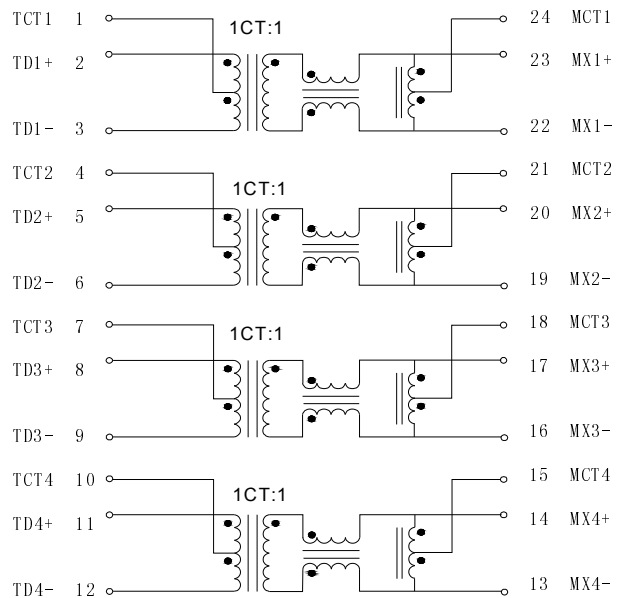
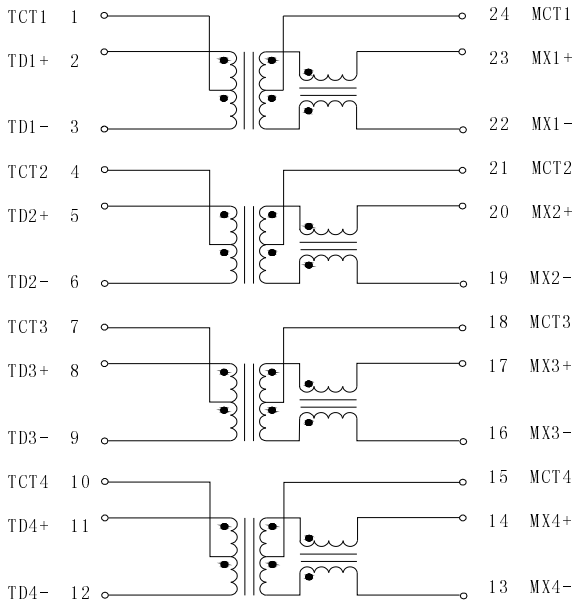
# 10/100/1000 BASE SINGLE PORT TRANSFORMER

## Mechanicals:



AE-SC24H01/AE-SC24H02/AE-SC24H05/AE-SC24H06

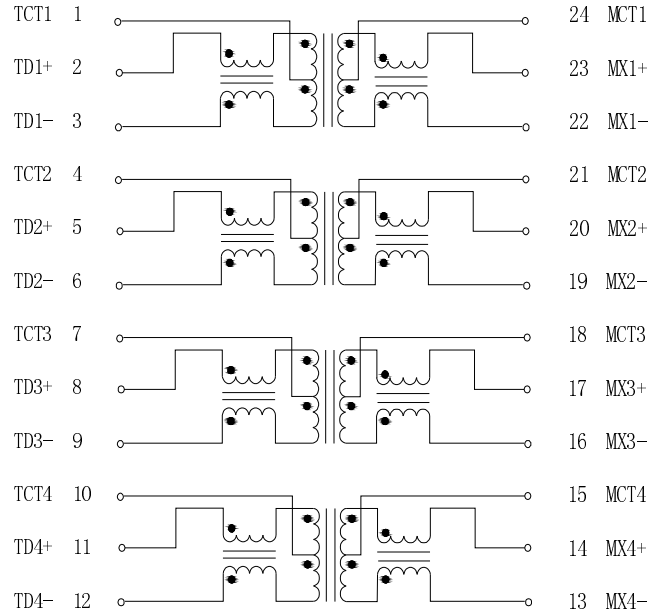
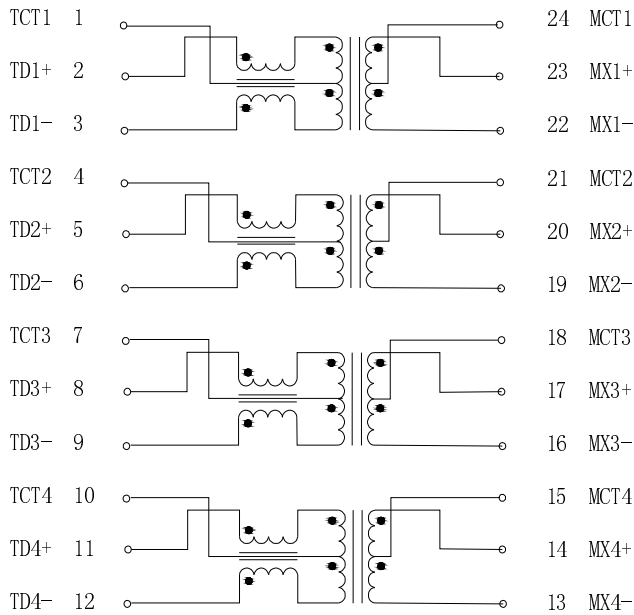
AE-SC24H01A



10/100/1000 BASE SINGLE PORT TRANSFORMER

AE-SC24H03

AE-SC24H04



Specification	Packing Manner	Q'ty per Tube/Reel	Q'ty/Inner box	Q'ty/Carton
AE-SC24HXX	TUBE	36	/	5148
	REEL	350	700	1400