

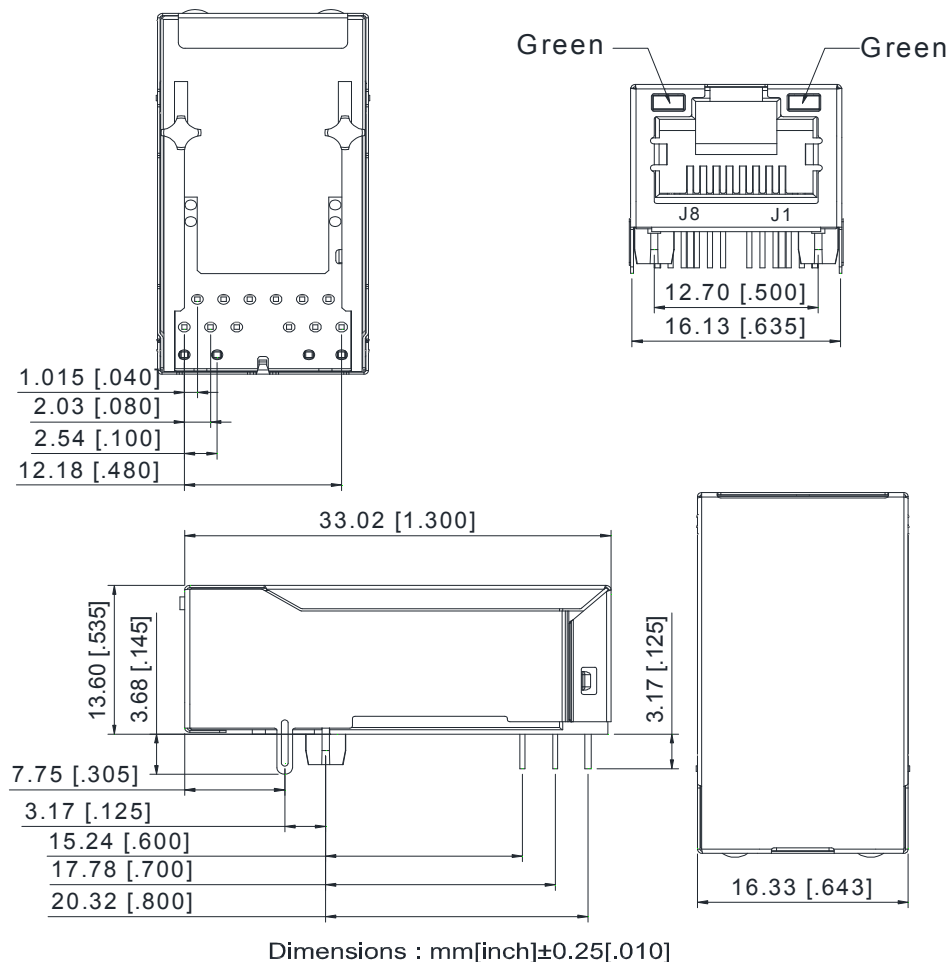
Part Number: AE-RJU102B001H

1*1 Port RJ45 10/100/1000Base-T Network Connector

Page: 1/3

- RoHS compliant.
- Housing: PA46 Black UL94V-0.
- Shielding: 0.2mm Thickness With Brass.
- Contact: Phosphor bronze. With 6μ" gold plating.
- Operating Temperature: -40°C TO +85°C.
- Dielectric Withstanding Voltage Between Shield And Terminal: 1500 VAC RMS 50Hz or 60Hz, 1MIN.

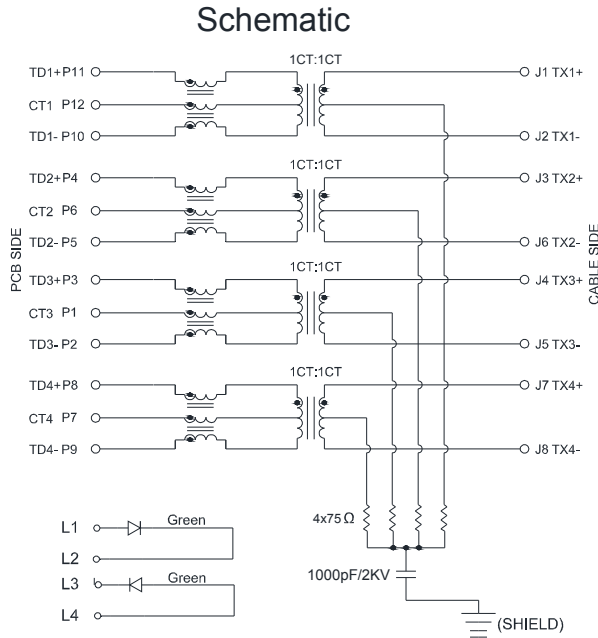
Mechanicals:



Part Number: AE-RJU102B001H

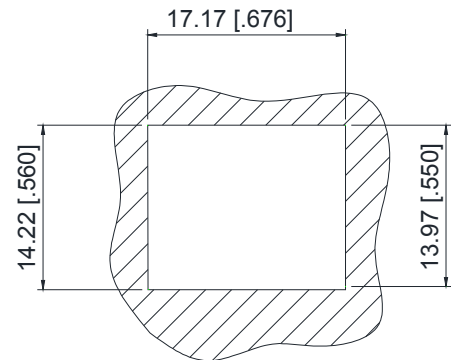
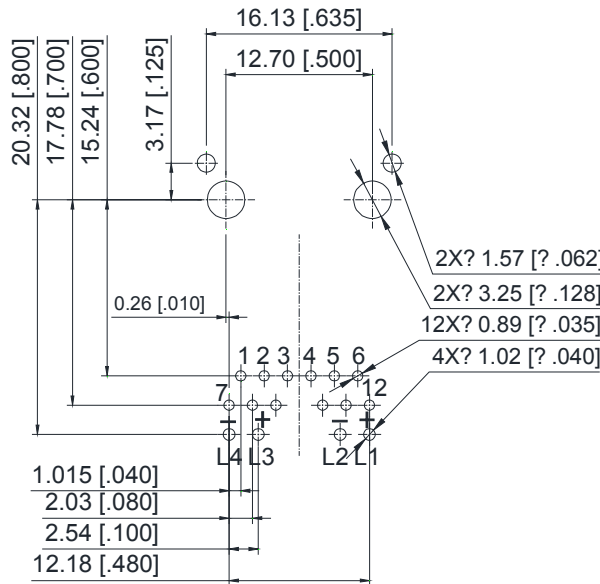
1*1 Port RJ45 10/100/1000Base-T Network Connector

Recommended PCB Layout:



Electrical Characteristics:

- 1.TR:(100KHz,0.1V);
PINS:(P11-P10):(J1-J2)=1:1±3%
PINS:(P4-P5):(J3-J6)=1:1±3%
PINS:(P3-P2):(J4-J5)=1:1±3%
PINS:(P8-P9):(J7-J8)=1:1±3%
- 2.LX:(100KHz,100mV,8mA, DC Bias)
PINS: (J1,J2),(J3,J6),(J4-J5),(J7-J8)=350uH MINIMUM
- 3.DCR:
PINS:(P11-P10),(P4-P5),(P3-P2),(P8-P9)= 1.2 OHMS MAXIMUM
- 4.HI-POT:
PINS(P1,P6,P7,P12)TO(J1,J3,J4,J7)=1500VAC FOR 60 SECONDS
- 5.INSERTION LOSS:
-1.0dB MAXIMUM AT 0.3MHZ TO 100MHZ;
- 6.RETURN LOSS:
-20dB MINIMUM AT 1MHZ TO 30MHZ;
-15dB MINIMUM AT 30MHZ TO 60MHZ
-10dB MINIMUM AT 60MHZ TO 80MHZ
- 7.CROSS TALK:
-30dB MINIMUM AT 1MHZ TO 100MHZ
- 8.COMMON TO COMMON MODE REJECTION:
-30dB MINIMUM AT 1MHZ TO 100MHZ



RECOMMENDED P.C.B LAYOUT
TOP VIEW (COMPONENT SIDE)

Dimension Tolerance:
All PCB LAYOUT
Tolerance:±0.05[.002]

Part Number: AE-RJU102B001H

1*1 Port RJ45 10/100/1000Base-T Network Connector

Page: 3/3

Reliability Test And Condition:

Test Item	Test Condition	Cycles or Hours	Reference
Vibration Test	1. Amplitude: 0.75mm 2. Frequency: 5-500Hz 3. Number of sweep cycles per axis 10 4. Direction: X. Y. Z	Duration: 2 hours each direction	IEC-68-2-6
Drop Test	1. Height: 1m 2. Concrete platform	6 Times	IEC-68-2-32
Thermal Shock Test	1. Low temperature: -40℃ 2. High temperature: + 85℃ 3. Soak time: 30 minutes 4. Transition time: less than 20 minutes	5 Cycles	IEC-68-2-14
Solderability Test	Dipped in 245±5 ℃ molten solder	Time: 3~5 seconds	IEC-68-2-20
High Temperature Test	1. Humidity: less than 50% RH 2. Temperature: 85±2 ℃	Duration: 96 hours	IEC-68-2-2
Low Temperature Test	Temperature: -40±3 ℃	Duration: 96 hours	IEC-68-2-1