

Description

SCOPE

- ABT-B01-75041-060 is a 4:1 balun transformer in a SMT package.

APPLICATIONS

- Ideally suitable for CATV broadband applications.

FEATURES

- Surface mount
- Impedance ratio: 4:1
- Centre tap on secondary
- RoHS compliant and Pb free
- Available on tape and reel
- 260° reflow compatible

PART NUMBER

ABT - B01 - 75041 - 060
 ①② - ③④ - ⑤ - ⑥

- ① Apps Electronics Limited
- ② Product series
- ③ Form Factor
- ④ Size Number
- ⑤ Impedance/Ratio
- ⑥ Design series Code

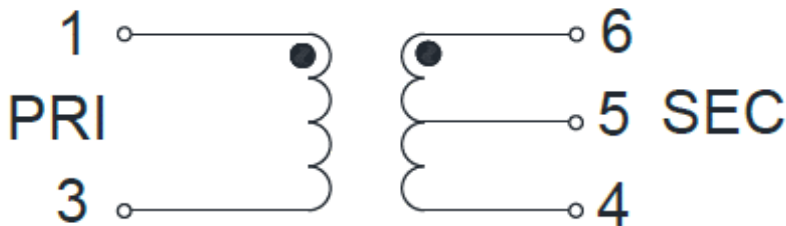
Form Factor

- B: Bobbin/Pin Base**
- P: PCB base**
- C: Ceramic base or SMD core**
- F: Ferrite SMD core**
- Other...

- 01: Form sequence code**
- 75014: 75 ohm, 1:4 Ratio**
- 151: Design series Code**

Series	Function description
BT/BL/WB	Balun Transformer
PD/PS	Power Divider/Power Splitter
PC	Power Combiner
CP	Directional Coupler, branch line hybrid/coupler
CL	Coupler+LPF
TF	RF Transformer(non-Balun, SE/SE, BA/BA)
LP/HP/BP/DP/TP	Filter(Lowpass/Highpass/Bandpass/Diplexer/Triplexer)
PT/PM	Power Transformer/Power Module
CM	C.M. Choke
E	Lan Transformer/RJ45/Air Coil
Other...	

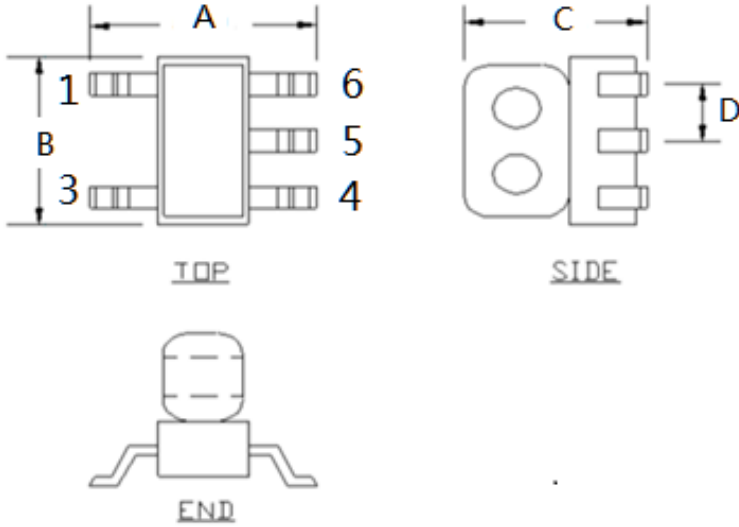
FUNCTIONAL SCHEMATIC



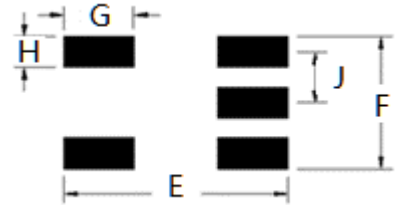
Pin Configuration

Pin No.	Function
1	Primary Dot (input)
3	Primary (ground)
4	Secondary (Output2)
5	Center Tap (Ground)
6	Secondary Dot (Output1)

DIMENSIONS



LAND PATTERN



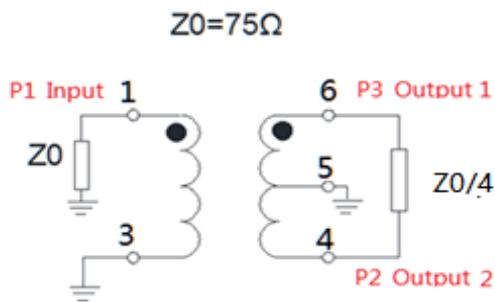
A	B	C
4.26	3.80	3.54
D		
1.27		

E	F	G
4.83	3.30	1.40
H	J	
0.76	1.27	

Unless otherwise stated dimensions are in mm

Tolerance: .xx ± 0.25, .xxx ± 0.05

APPLICATION & TEST CIRCUIT



ABSOLUTE MAXIMUM RATINGS

Parameter	Value
Input RF Power	2000mW Max
DC Current	1500mA Max
Operating Temperature Range	-40 to 125°C



Apps Electronics Limited

雅思電子有限公司

位址：香港九龍新浦崗大有街29號宏基中心1407室

電話 +852 36934218

傳真 +852 37436367

位址：廣東省深圳市福田區深南大道南 泰然九路喜年中心A座1720室

電話 +86 (755) 86538552 傳真 +86 (755) 26653184

ABT-B01-75041-060

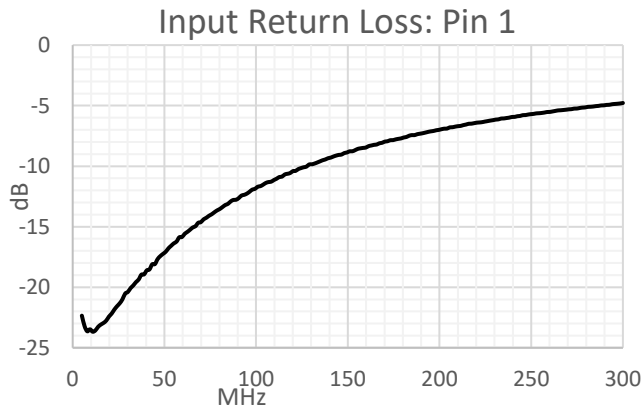
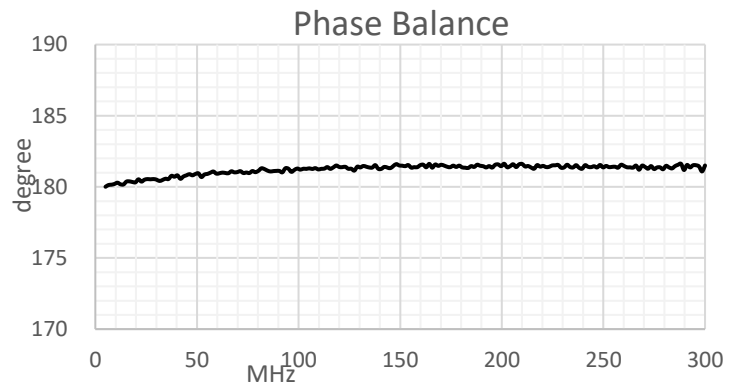
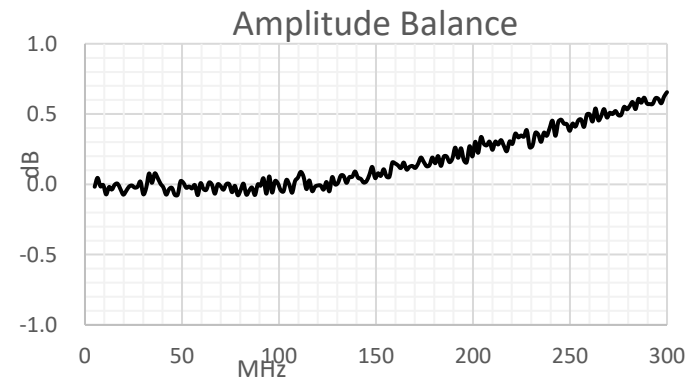
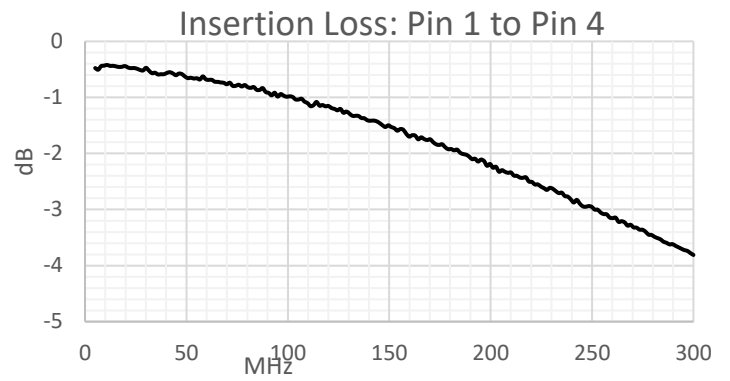
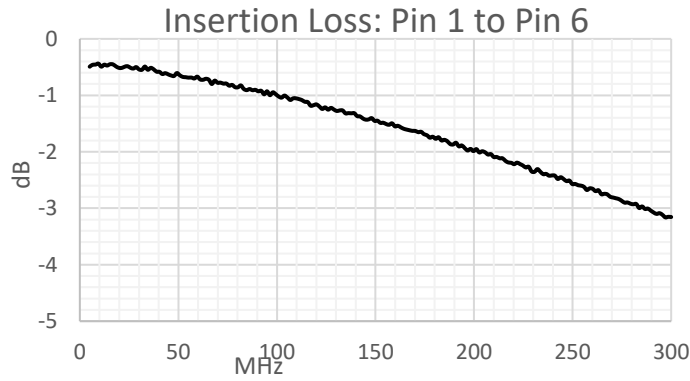
Balun Transformer(5-300MHz)

ELECTRICAL SPECIFICATIONS@25°C:

Parameters (P#: ENA PORT)	frequency band	Min.	Typ.	Max.	Unit
Port Impedance, Z0			75		Ohm
Insertion Loss	5-50MHz		0.5	0.9	dB
	50-150MHz		1.1	2.2	dB
	150-300MHz		2.8	4.9	dB
Input Return Loss(Pin 1)	5-50MHz	14.0	21.0		dB
	50-150MHz	7.0	12.0		dB
	150-300MHz	3.0	7.0		dB
Amplitude Balance	5-50MHz		0.10	0.5	dB
	50-150MHz		0.20	0.8	dB
	150-300MHz		0.50	1.6	dB
Phase Balance(ref value 180°)	5-50MHz		0.8	3.0	Deg
	50-150MHz		2.4	7.0	Deg
	150-300MHz		3.5	10.0	Deg



TEST CURVE





Apps Electronics Limited 雅思電子有限公司

位址：香港九龍新浦崗大有街29號宏基中心1407室

電話 +852 36934218

傳真 +852 37436367

位址：廣東省深圳市福田區深南大道南 泰然九路喜年中心A座1720室

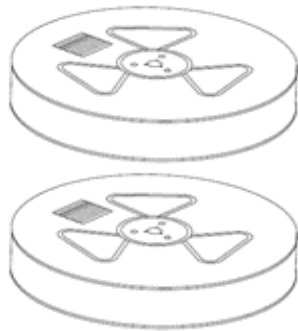
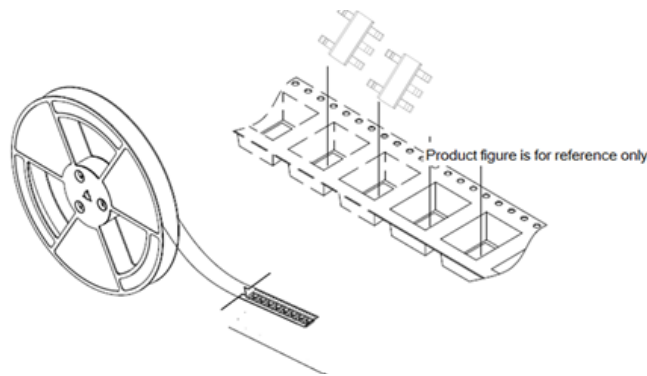
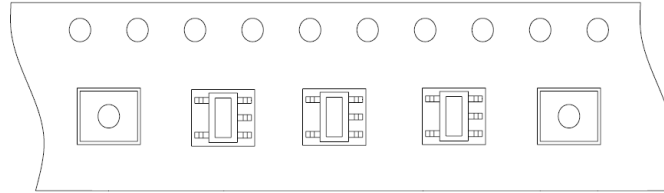
電話 +86 (755) 86538552 傳真 +86 (755) 26653184

ABT-B01-75041-060

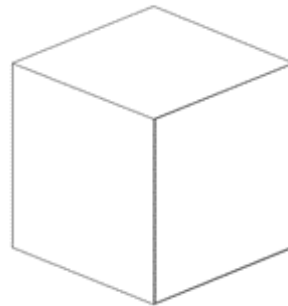
Balun Transformer(5-300MHz)

PACKING

DIRECTION OF FEED



Ten Reel



Export Carton

Quantity per reel: 2000 pcs

Quantity per export carton: 20000 pcs