

Description

SCOPE

- ABL-B02-75012-109 is a 1:2 balun transformer in a SMT package.

APPLICATIONS

- Ideally suitable for CATV broadband applications.

FEATURES

- Surface mount
- Impedance ratio: 1:2
- Centre tap on secondary
- RoHS compliant and Pb free
- Available on tape and reel
- ideally suited for DOCSIS 3.1

PART NUMBER

ABL - B02 - 75012 - 109

① ② ③ ④ ⑤ ⑥

- ① Apps Electronics Limited
- ② Product series
- ③ Form Factor
- ④ Size Number
- ⑤ Impedance/Ratio
- ⑥ Design series Code

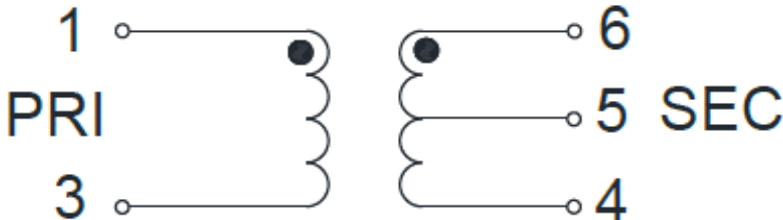
Form Factor

- B: Bobbin/Pin Base**
- P: PCB base**
- C: Ceramic base or SMD core**
- F: Ferrite SMD core**
- Other...

- 02: Form sequence code**
- 75012: 75 ohm, 1:2 Ratio**
- 109: Design series Code**

Series	Function description
BT/BL/WB	Balun Transformer
PD/PS	Power Divider/Power Splitter
PC	Power Combiner
CP	Directional Coupler, branch line hybrid/coupler
CL	Coupler+LPF
TF	RF Transformer(non-Balun, SE/SE, BA/BA)
LP/HP/BP/DP/TP	Filter(Lowpass/Highpass/Bandpass/Diplexer/Triplexer)
PT/PM	Power Transformer/Power Module
CM	C.M. Choke
E	Lan Transformer/RJ45/Air Coil
	Other...

FUNCTIONAL SCHEMATIC

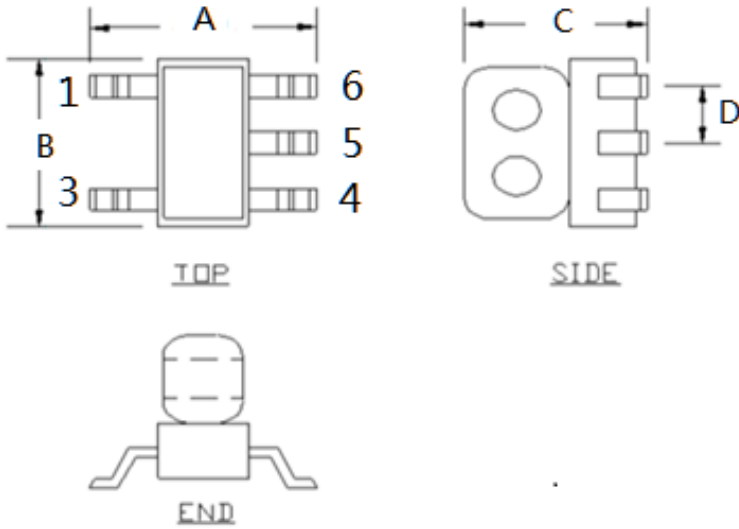


- Turns: Pin1-3 = 6T
- Pin6-5 = 2T
- Pin5-4 = 2T

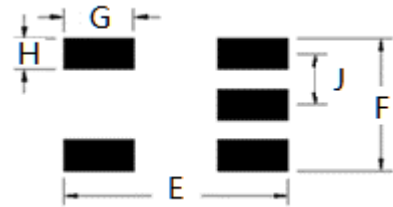
Pin Configuration

Pin No.	Function
1	Primary Dot (input)
3	Primary (ground)
4	Secondary (Output1)
5	Center Tap (Ground)
6	Secondary Dot (Output2)

DIMENSIONS



LAND PATTERN



A	B	C
5.39	4.22	3.63
D		
1.50		

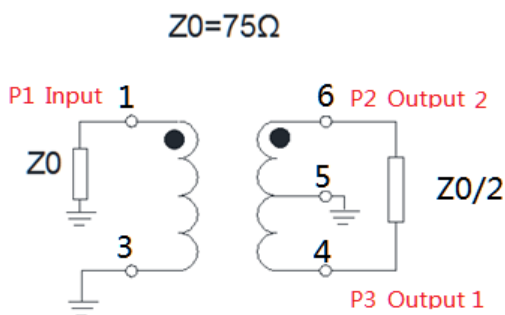
E	F	G
6.13	3.91	1.92
H	J	
0.91	1.50	

Unless otherwise stated dimensions are in mm

Tolerance: .xx ± 0.25, .xxx ± 0.05

APPLICATION & TEST CIRCUIT

ABSOLUTE MAXIMUM RATINGS



Parameter	Value
Input RF Power	500mW Max
DC Current	500mA Max
Operating Temperature Range	-40 to 85°C



Apps Electronics Limited

雅思電子有限公司

位址：香港九龍新浦崗大有街29號宏基中心1407室

電話 +852 36934218

傳真 +852 37436367

位址：廣東省深圳市福田區深南大道南 泰然九路喜年中心A座1720室

電話 +86 (755) 86538552 傳真 +86 (755) 26653184

ABL-B02-75012-109

Balun Transformer(5-300MHz)

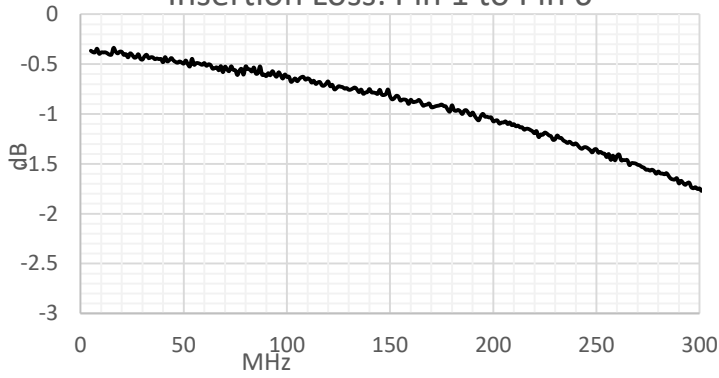
ELECTRICAL SPECIFICATIONS@25°C:

Parameters (P#: ENA PORT)	frequency band	Min.	Typ.	Max.	Unit
Port Impedance, Z0 (P1 / P2 / P3)			75 / 18.75/ 18.75		Ohm
Insertion Loss	5-50MHz		0.4	0.6	dB
	50-85MHz		0.5	0.7	dB
	85-205MHz		0.8	1.5	dB
	205-300MHz		1.3	2.2	dB
Input Return Loss (Pin 1)	5-50MHz	20.0	25.0		dB
	50-85MHz	15.0	19.0		dB
	85-205MHz	8.0	13.0		dB
	205-300MHz	6.0	9.0		dB
Amplitude Balance	5-50MHz		0.02	0.2	dB
	50-85MHz		0.04	0.3	dB
	85-205MHz		0.04	0.5	dB
	205-300MHz		0.1	0.7	dB
Phase Balance (ref value 180°)	5-50MHz		0.1	2.0	Deg
	50-85MHz		0.3	3.0	Deg
	85-205MHz		1.1	6.0	Deg
	205-300MHz		1.2	7.0	Deg

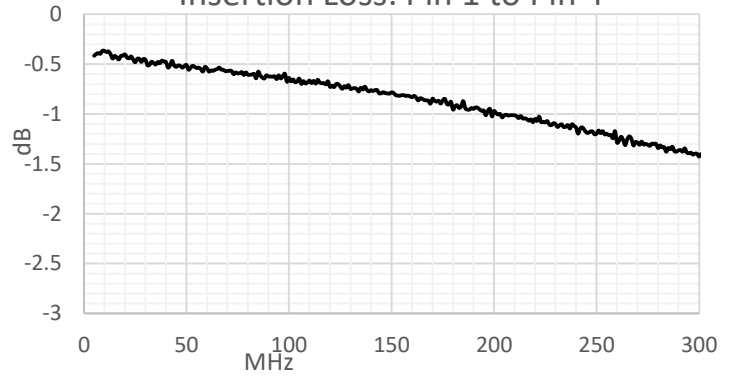


TEST CURVE

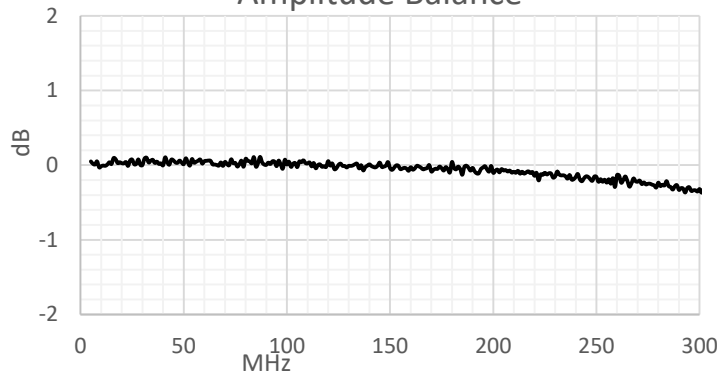
Insertion Loss: Pin 1 to Pin 6



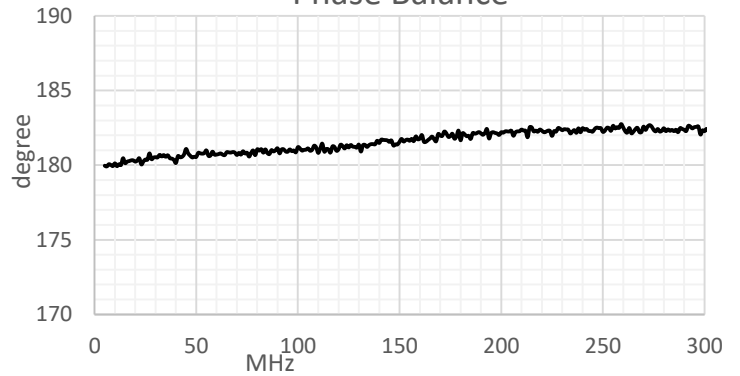
Insertion Loss: Pin 1 to Pin 4



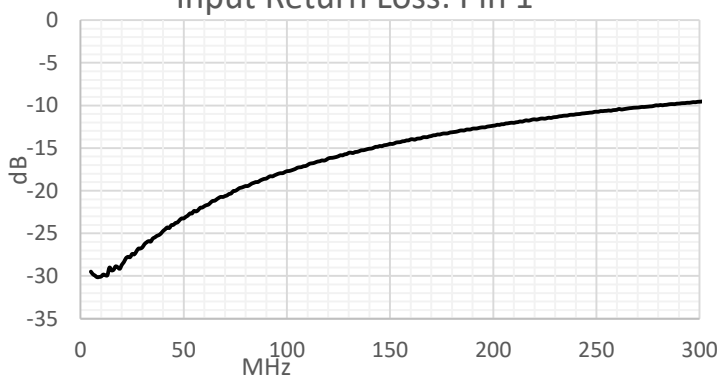
Amplitude Balance



Phase Balance

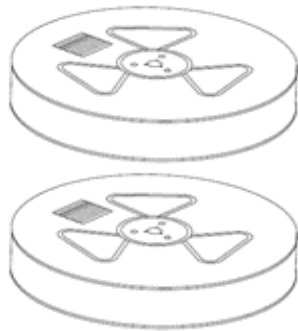
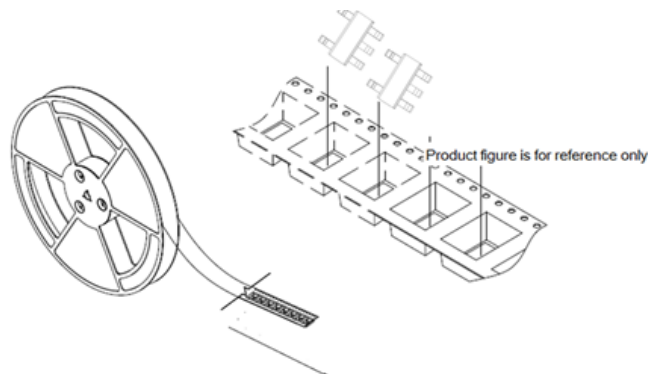
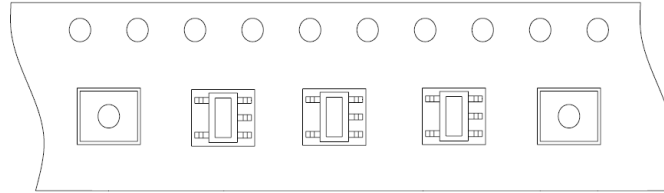


Input Return Loss: Pin 1

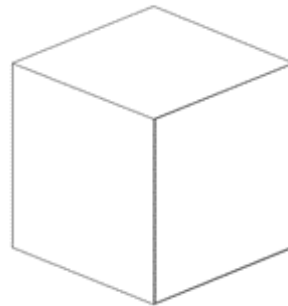


PACKING

DIRECTION OF FEED



Ten Reel



Export Carton

Quantity per reel: 2000 pcs

Quantity per export carton: 20000 pcs