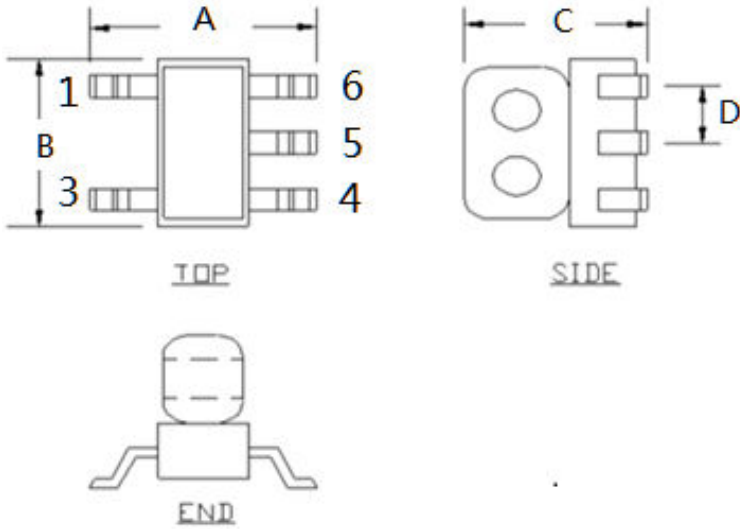
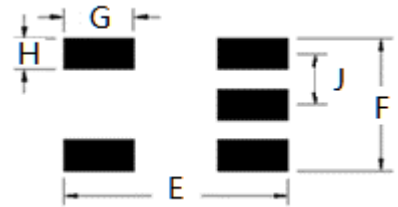




### DIMENSIONS



### LAND PATTERN



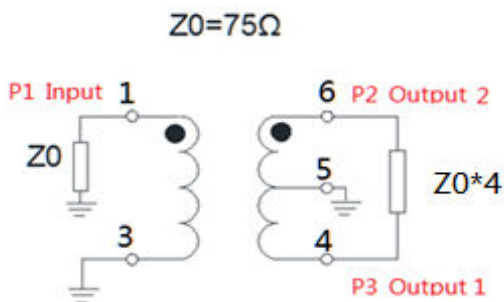
A	B	C
4.26	3.80	3.54
D		
1.27		

E	F	G
4.83	3.30	1.40
H	J	
0.76	1.27	

Unless otherwise stated dimensions are in mm

Tolerance: .xx ± 0.25, .xxx ± 0.05

### APPLICATION & TEST CIRCUIT



### ABSOLUTE MAXIMUM RATINGS

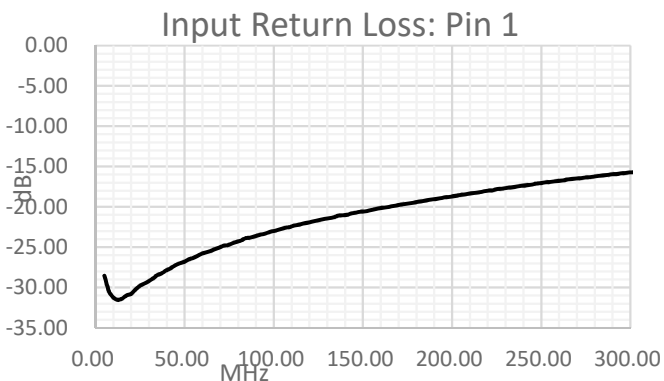
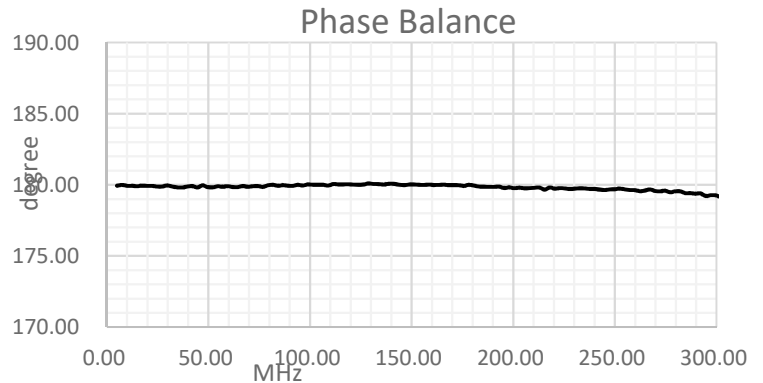
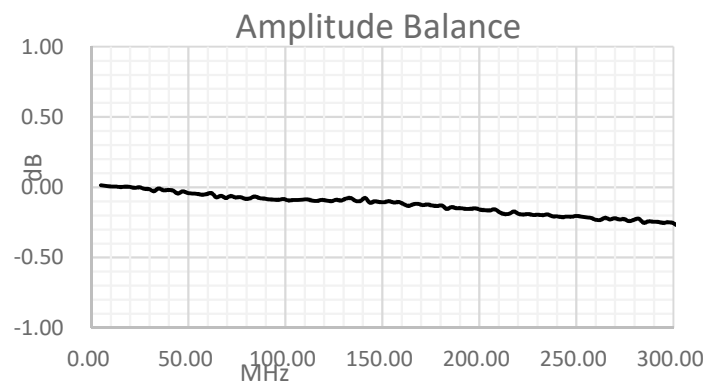
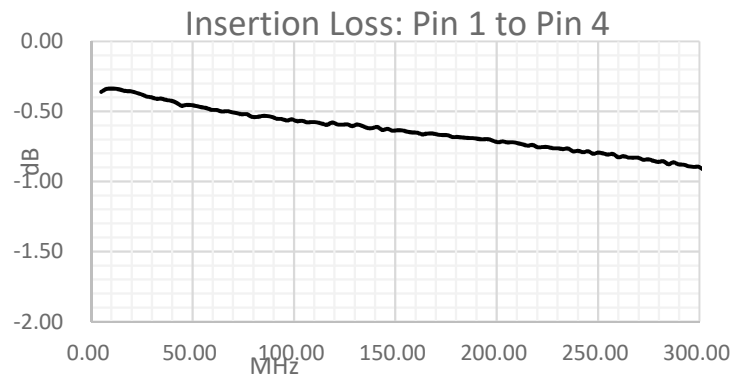
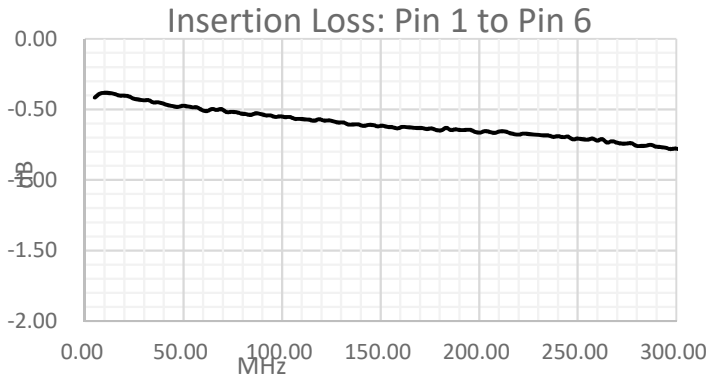
Parameter	Value
Input RF Power	250mW Max
DC Current	30mA Max
Operating Temperature Range	-40 to 85°C



**ELECTRICAL SPECIFICATIONS@25°C:**

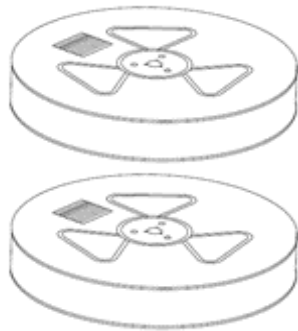
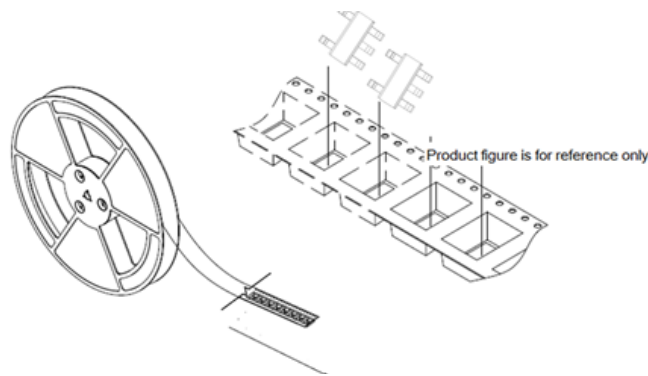
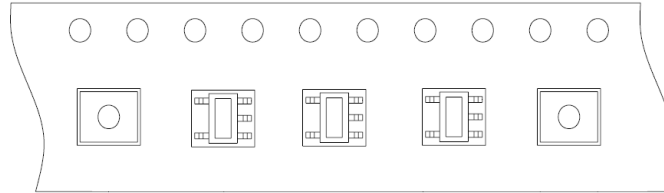
Parameters (P#: ENA PORT)	frequency band	Min.	Typ.	Max.	Unit
Port Impedance, Z0 (P1 / P2 / P3)			75 / 150/ 150		Ohm
Insertion Loss	1-300MHz		0.4	1.1	dB
Input Return Loss(Pin 1)	1-300MHz	14.0	25.0		dB
Amplitude Balance	1-300MHz		0.02	0.5	dB
Phase Balance(ref value 180°)	1-300MHz		1.0	3.0	Deg

**TEST CURVE**

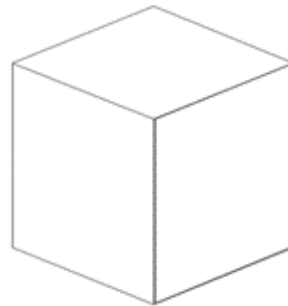


### PACKING

DIRECTION OF FEED



Ten Reel



Export Carton

Quantity per reel: 2000 pcs

Quantity per export carton: 20000 pcs