



# Apps Electronics Limited

## 雅思電子有限公司

位址：香港九龍新浦崗大有街29號宏基中心1407室

電話 +852 36934218

傳真 +852 37436367

位址：廣東省深圳市福田區深南大道南 泰然九路喜年中心A座1720室

電話 +86 (755) 86538552 傳真 +86 (755) 26653184

ABT-P12-50011-205

Balun Trasformer(10-6000MHz)

## Description

### SCOPE

- ABT-P12-50011-205 is a 1:1 balun transformer in a SMT package.

### APPLICATIONS

- differential modulator/demodulator and active mixers
- wideband push-pull amplifiers
- LTE, Cellular, PCS, UMTS, WiFi, WiMAX

### FEATURES

- Surface mount
- Impedance ratio: 1:1
- RoHS compliant and Pb free
- Available on tape and reel

## PART NUMBER

ABT - P12 - 50011 - 205  
 ①② - ③④ - ⑤ - ⑥

① Apps Electronics Limited

② Product series

③ Form Factor

④ Size Number

⑤ Impedance/Ratio

⑥ Design series Code

### Form Factor

**B:** Bobbin/Pin Base

**P:** PCB base

**C:** Ceramic base or SMD core

**F:** Ferrite SMD core

Other...

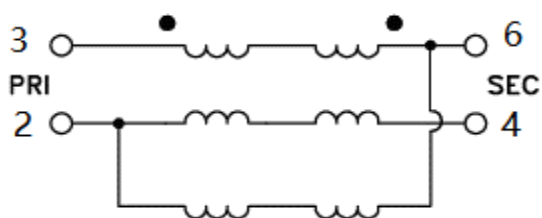
**12:** Form sequence code

**50011:** 50 ohm, 1 : 1 Ratio

**205:** Design series Code

Series	Function description
<b>BT/BL/WB</b>	<b>Balun Transformer</b>
PD/PS	Power Divider/Power Splitter
PC	Power Combiner
CP	Directional Coupler, branch line hybrid/coupler
CL	Coupler+LPF
TF	RF Transformer(non-Balun, SE/SE, BA/BA)
LP/HP/BP/DP/TP	Filter(Lowpass/Highpass/Bandpass/Diplexer/Triplexer)
PT/PM	Power Transformer/Power Module
CM	C.M. Choke
E	Lan Transformer/RJ45/Air Coil
	Other...

## FUNCTIONAL SCHEMATIC



## Pin Configuration

Pin No.	Function
1	Not used
2	Primary
3	Primary Dot
4	Secondary
6	Secondary Dot



# Apps Electronics Limited

## 雅思電子有限公司

位址：香港九龍新浦崗大有街29號宏基中心1407室

電話 +852 36934218

傳真 +852 37436367

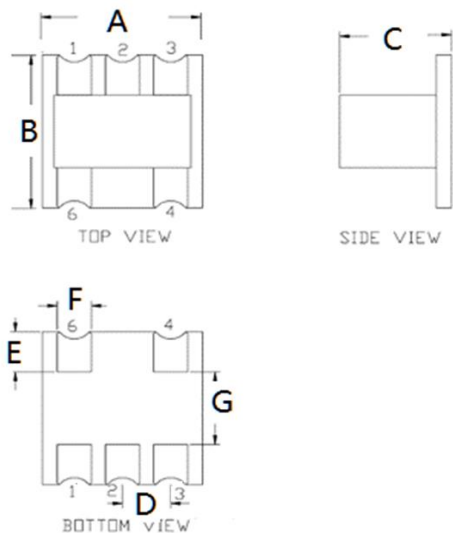
位址：廣東省深圳市福田區深南大道南 泰然九路喜年中心A座1720室

電話 +86 (755) 86538552 傳真 +86 (755) 26653184

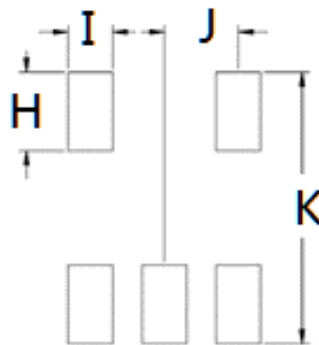
ABT-P12-50011-205

Balun Trasformer(10-6000MHz)

### DIMENSIONS



### PCB LAYOUT

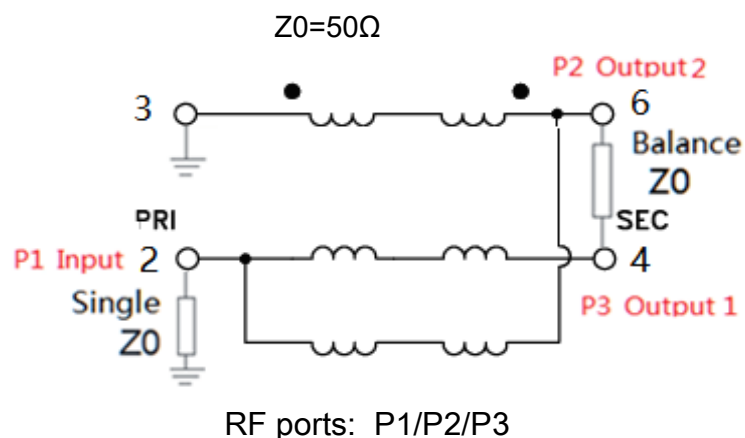


A	B	C	D	H	I	J
4.21	4.21	2.40	1.27	1.40	0.76	1.57
E	F	G		K		
1.11	0.90	2.00		4.83		

Unless otherwise stated dimensions are in mm

Tolerance: .xx ± 0.25, .xxx ± 0.05

### APPLICATION & TEST CIRCUIT



### ABSOLUTE MAXIMUM RATINGS

Parameter	Value
Input Power	200mW Max
DC Current	30mA Max
Operating Temperature Range	-40 to 85°C
Storage Temperature Range	-55 to 100°C



# Apps Electronics Limited

## 雅思電子有限公司

位址：香港九龍新浦崗大有街29號宏基中心1407室

電話 +852 36934218

傳真 +852 37436367

位址：廣東省深圳市福田區深南大道南 泰然九路喜年中心A座1720室

電話 +86 (755) 86538552 傳真 +86 (755) 26653184

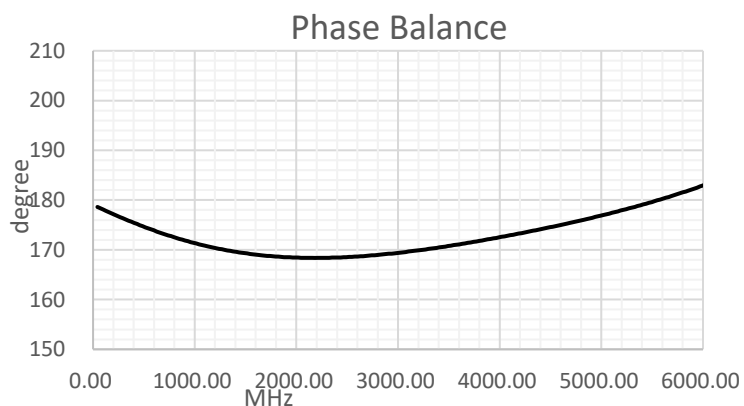
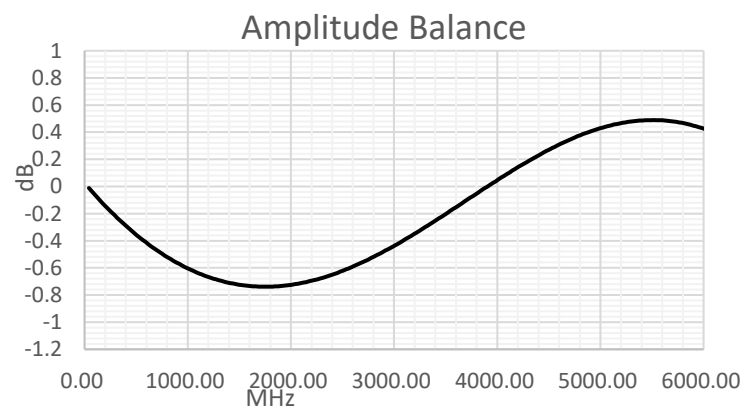
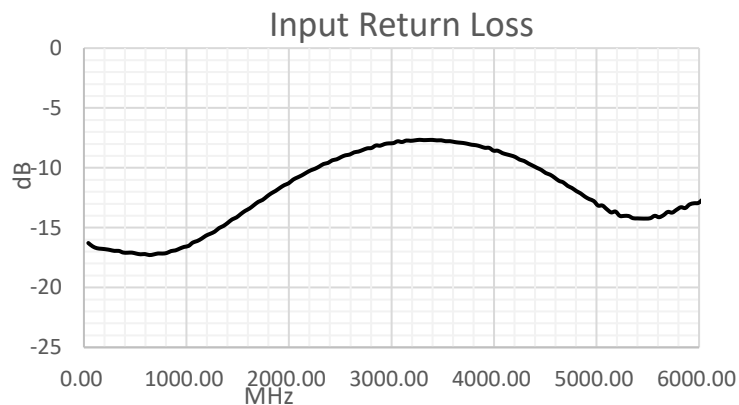
ABT-P12-50011-205

Balun Trasformer(10-6000MHz)

### ELECTRICAL SPECIFICATIONS@25°C:

Parameters (P#: ENA PORT)	frequency band	Min.	Typ.	Max.	Unit
Port Impedance, Z0 (P1 / P2 / P3)			50 /25 25		Ohm
Insertion Loss	10-5000MHz		1.8	2.5	dB
	5000-6000MHz		2.4	3.0	dB
Amplitude Balance	10-6000MHz		0.5		dB
Phase Balance	10-6000MHz		8.0		Deg
Input Return Loss	10-6000MHz		13		dB

### TEST CURVE





# Apps Electronics Limited

## 雅思電子有限公司

位址：香港九龍新浦崗大有街29號宏基中心1407室

電話 +852 36934218

傳真 +852 37436367

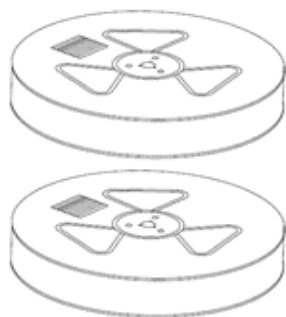
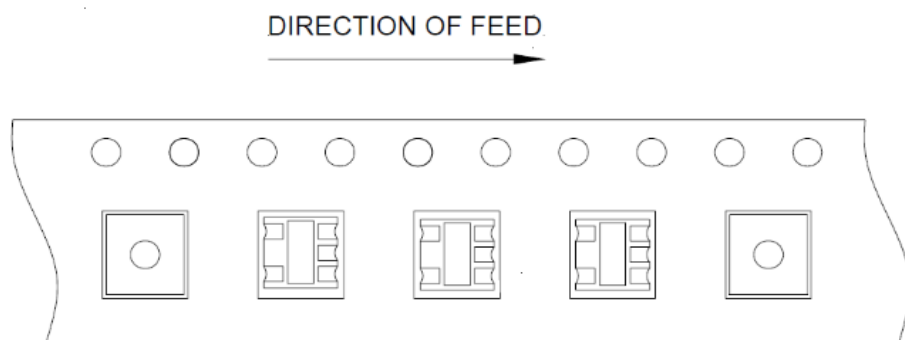
位址：廣東省深圳市福田區深南大道南 泰然九路喜年中心A座1720室

電話 +86 (755) 86538552 傳真 +86 (755) 26653184

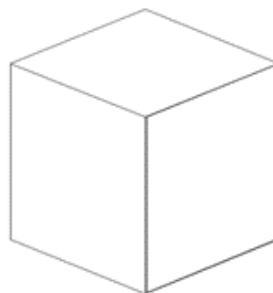
ABT-P12-50011-205

Balun Trasformer(10-6000MHz)

### PACKING



Ten Reel



Export Carton

Quantity per reel: 2000pcs

Quantity per export carton: 20000pcs