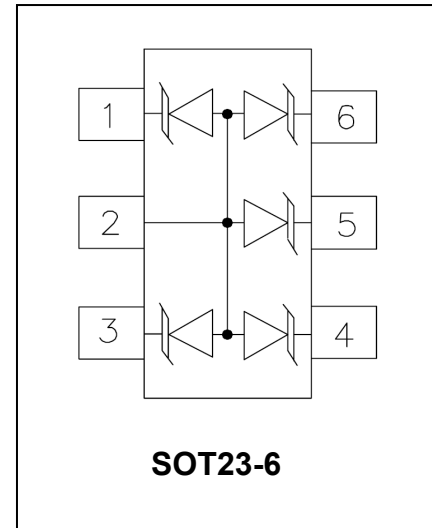


Features

- ◆ 150 Watts peak pulse power ($t_p = 8/20\mu s$)
- ◆ Transient protection for high speed data lines to IEC 61000-4-2 (ESD) $\pm 15kV$ (air), $\pm 8kV$ (contact) IEC 61000-4-4 (EFT) 40A (5/50ns)
- ◆ Working voltages : 3V,5V,8V,12V,15V,24V
- ◆ Protects two bidirectional or five unidirectional line
- ◆ Low operating and clamping voltages
- ◆ Solid-state silicon avalanche technology



Applications

- ◆ Notebooks, Desktops, Servers and Video Graphics Cards
- ◆ USB Power & Data Line Protection
- ◆ Monitors and Flat Panel Displays
- ◆ I²C Bus Protection
- ◆ Portable Instrumentation
- ◆ Set Top Box

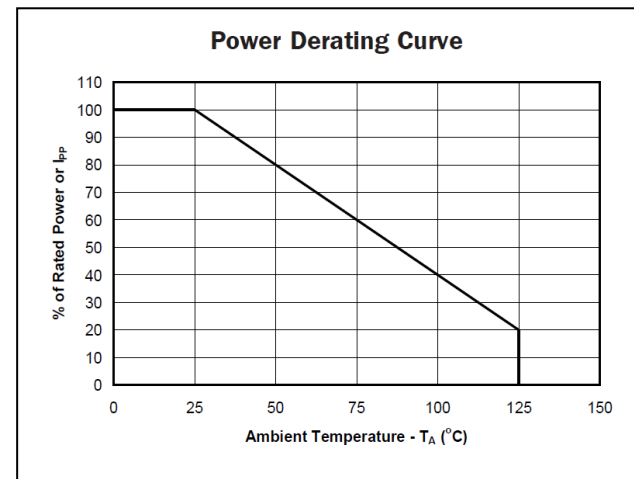
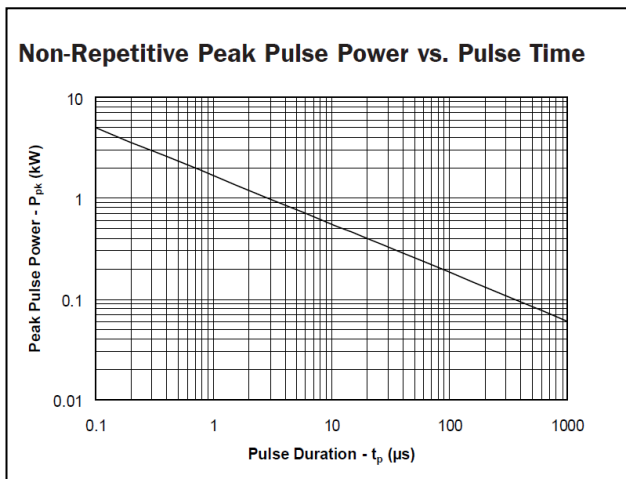
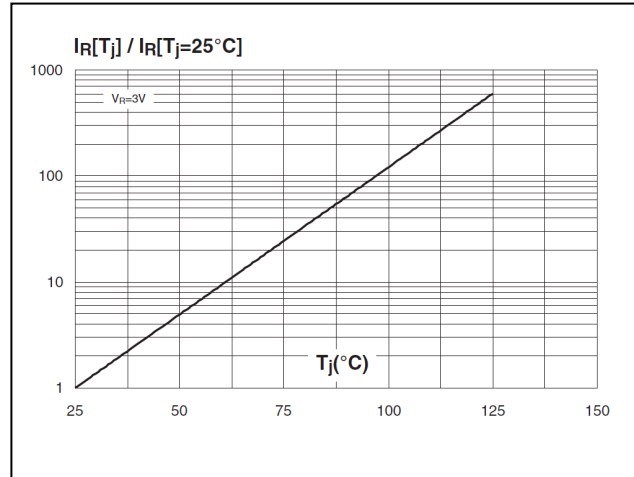
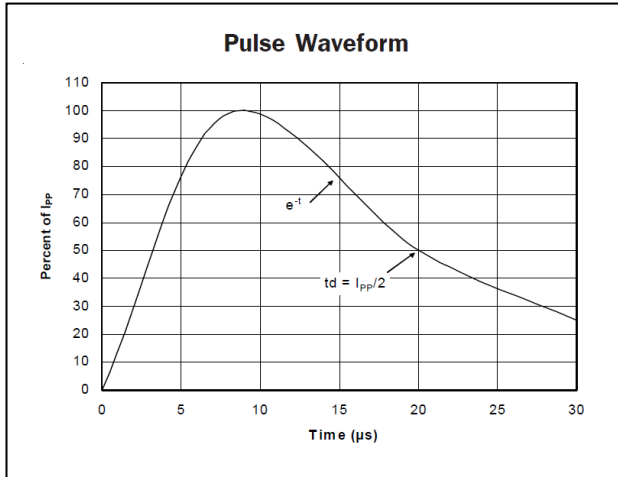
Maximum Rating @ Ta=25°C unless otherwise specified

Symbol	Parameter	Ratings	Units
P _{PK}	Peak Pulse Power ($t_p = 8/20\mu s$)	150	Watts
T _L	Lead Soldering Temperature	260(10sec.)	°C
T _J	Operating Temperature	-55 to +125	°C
T _{STG}	Storage Temperature	-55 to +150	°C

Electrical Characteristics@ Ta=25°C unless otherwise

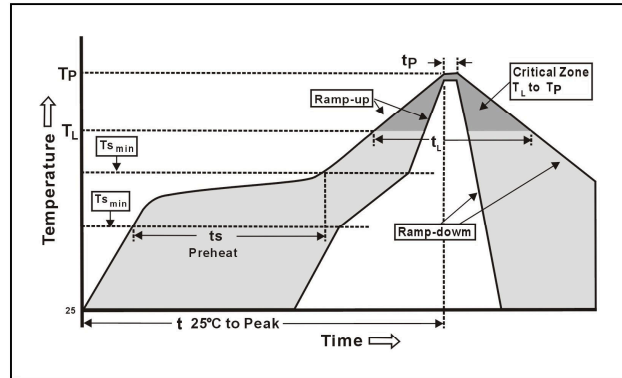
Parameter	Marking	VRWM @IR		VBR@1mA	VC@1A	VC@IPP		CJ
		V	μA	V	V	V	A	pF
			MAX	MIN	MAX	MAX		MAX
AE-TVSSMS03C		3.3	1	4	9.8	13	12	120
AE-TVSSMS05C		5	1	5.8	11.8	15	10	100
AE-TVSSMS08C		8	1	8.5	14	19	8	80
AE-TVSSMS12C		12	1	13.3	19	25	6	70
AE-TVSSMS15C		15	1	16.5	24	33	5	50
AE-TVSSMS24C		24	1	26.1	44	54	3	30

Typical Characteristics @ $T_a=25^\circ\text{C}$ unless otherwise specified



Soldering Parameters

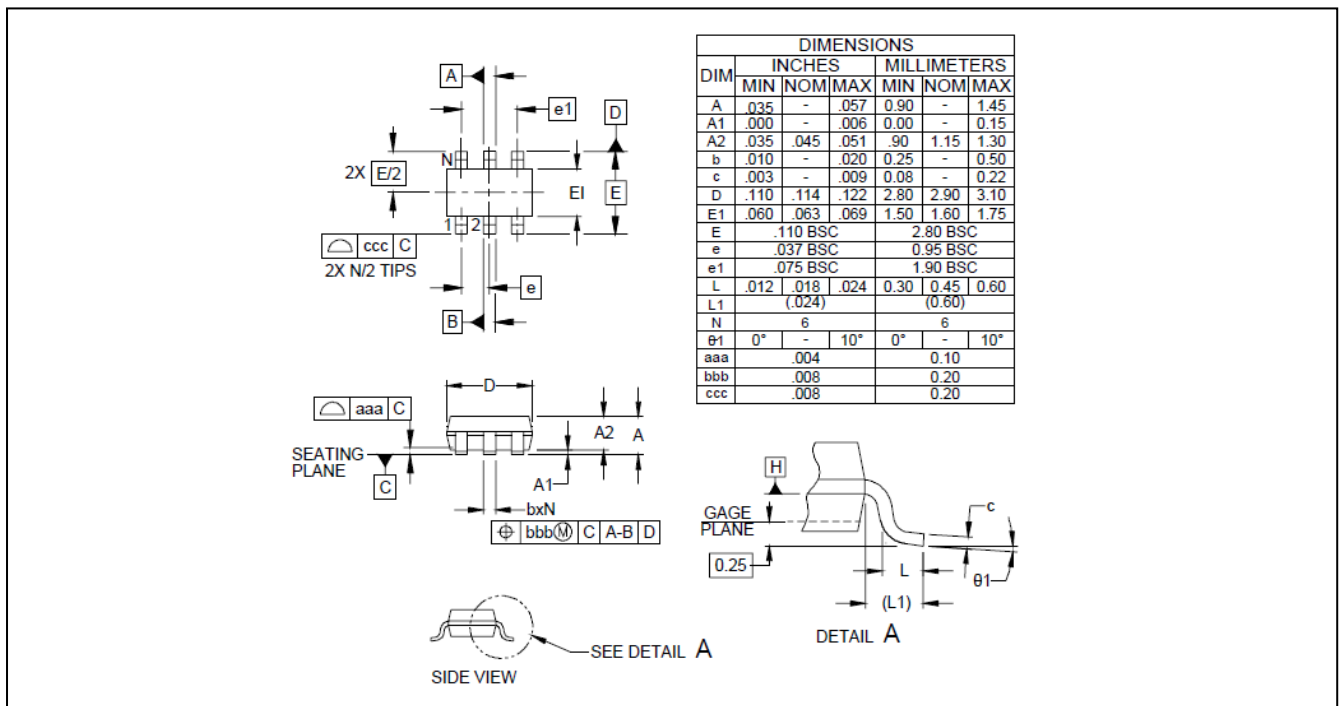
Reflow Condition		Fb – Free assembly
Pre Heat	- Temperature Min ($T_{s(Min)}$)	150°C
	- Temperature Max ($T_{s(Max)}$)	200°C
	- Time (Min to max) (t_p)	60 – 180 secs
Average ramp up rate (Liquidus) Temp (T_L) to peak		3°C/second Max
$T_{s(Max)}$ to T_L - Ramp-up Rate		3°C/second Max
Reflow	- Temperature (T_L) (Liquidus)	217°C
	- Temperature (t_L)	60 – 150 seconds
Peak Temperature (T_p)		250 ^{+0/-5} °C
Time within 5°C of actual peak Temperature (t_p)		20 – 40 seconds
Ramp-down Rate		6°C/second Max
Time 25°C to peak Temperature (T_p)		8 minutes Max.
Do not exceed		260°C



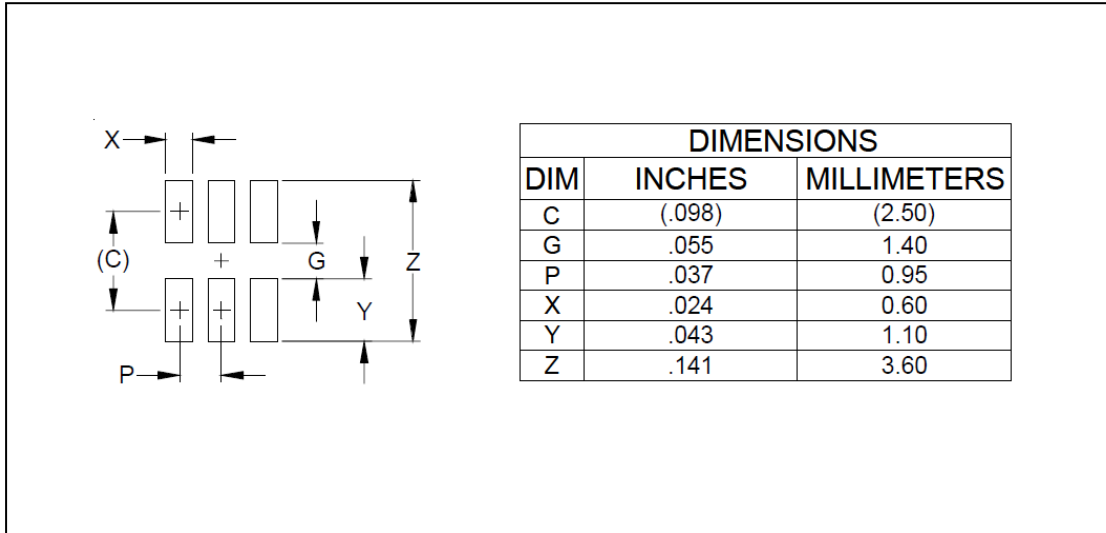
Package Outline

Plastic surface mounted package

SOT23-6



Soldering Footprint



Package And Marking Information

Device	Package	Shipping	Reel Size
AE-TVSSMSxxC	SOT23-6	3000/Reel	7 inch